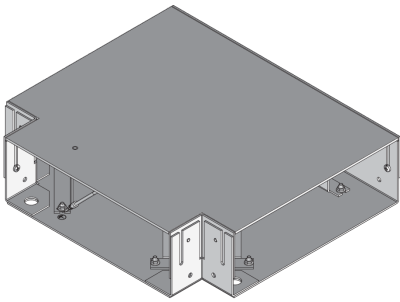


## UBEBMAIR

T-junction, right, inner

The UBEBMAIR T-junction is a component within the CHALI screed-flush brush ducts system. This product serves as a connector between two duct sections. Thanks to its T-shape, cables can be laid within a trunk section in the desired direction. The component is made of sendzimir hot-dip galvanized sheet steel in accordance with DIN EN 10346.



steel, continuously hot galvanized/Sendzimir process

Products	H	B	L	$\alpha$	W
UBEBMAIR 85-25S	85 mm	297 mm	340 mm	90°	5,506 kg

**H:** height

**B:** width

**L:** length

$\alpha$

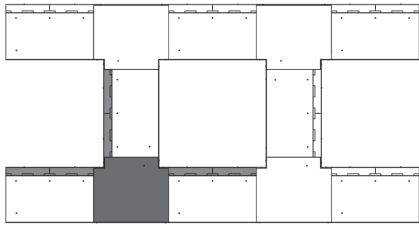
:

**W:** Weight per storage unit

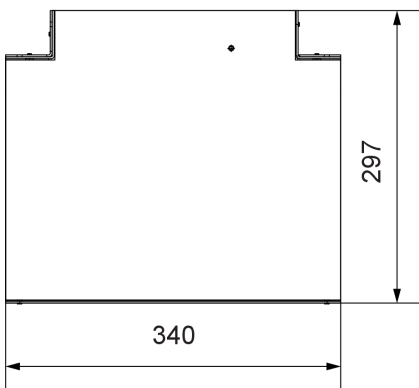
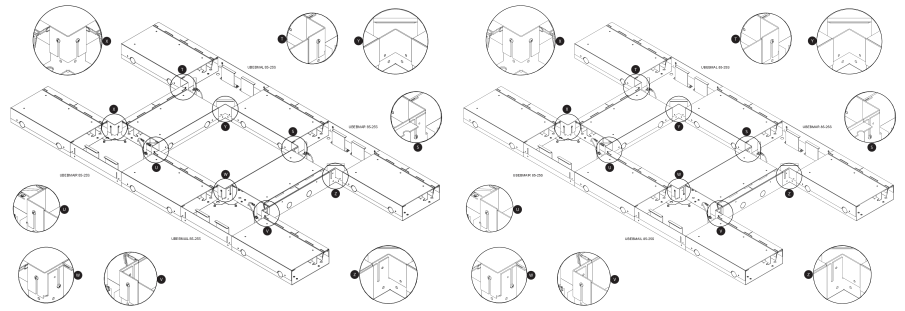
## DETAIL AND APPLICATION IMAGES



# PRODUCT INFORMATION



UBEBMAIR



## OPTIONAL ACCESSORIES

CHALI

DIN

Load requirements according to, DIN EN 50085

