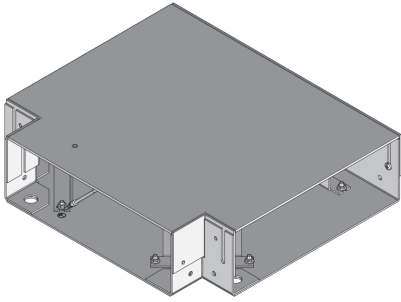


## UBEBMAIL

T-junction, left, inner



The UBEEMAIL T-junction is a component within the CHALI screed-flush brush ducts system. This product serves as a connector between two duct sections. Thanks to its T-shape, cables can be laid within a trunk section in the desired direction. The component is made of sendzimir hot-dip galvanized sheet steel in accordance with DIN EN 10346.

steel, continuously hot galvanized/Sendzimir process

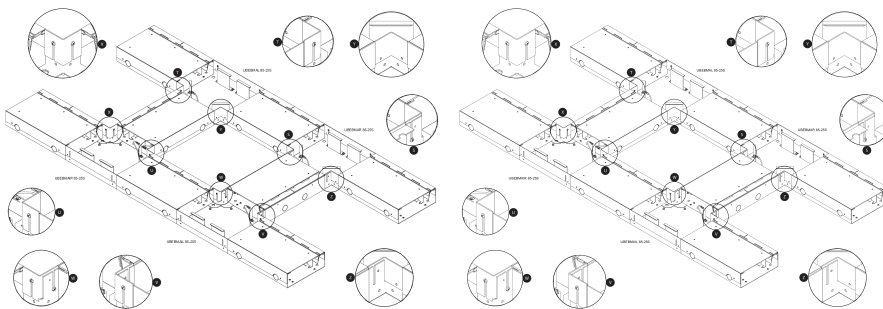
| Products        | H     | B      | L      | $\alpha$ | W        |
|-----------------|-------|--------|--------|----------|----------|
| UBEBMAIL 85-25S | 85 mm | 297 mm | 340 mm | 90°      | 5,506 kg |

H: height  
B: width  
L: length

$\alpha$

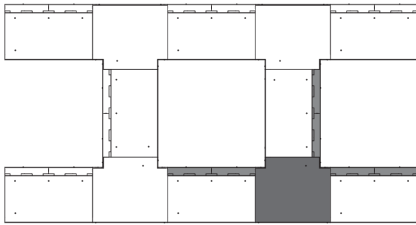
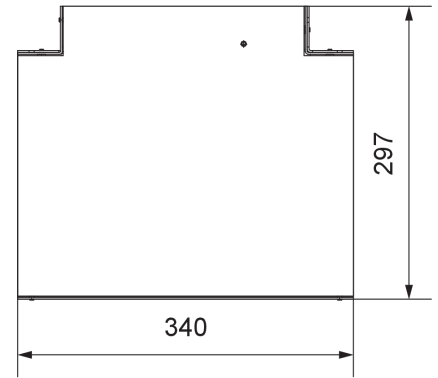
W: Weight per storage unit

## DETAIL AND APPLICATION IMAGES



# PRODUCT INFORMATION

---



UBEBMAIL

## OPTIONAL ACCESSORIES

CHALI

**DIN**

Load requirements according to, DIN EN 50085

