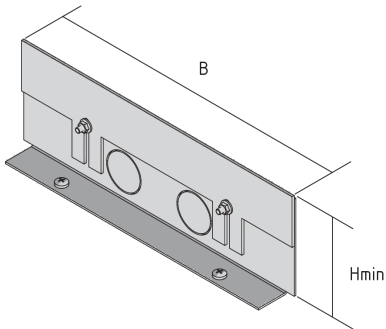


## UBEBES

### End piece



UBEBES product solutions are variable end pieces that are used to close CHALI screed-flush brush channels. The mounting components can be levelled and adapt to floor coverings 25 mm thick. They are made of sendzimir hot-dip galvanised sheet steel in accordance with DIN EN 10346. They have a minimum installation height of 80 mm and are 250 mm wide.



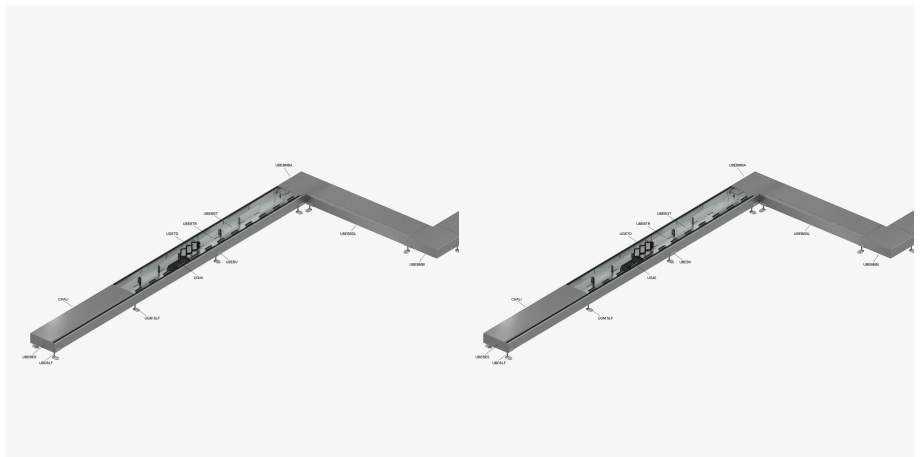
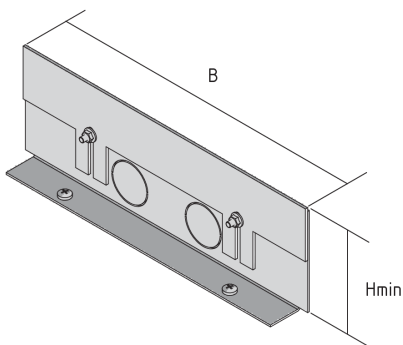
Products	H <sub>min</sub>	N	B	weight
UBEBES 85-25S	80 mm	25 mm	250 mm	0,877 kg
incl.:				
2 × BLS 4.8X9.5				

**H<sub>min</sub>**: minimum installation height

**N**: levelling range

**B**: width

## DETAIL AND APPLICATION IMAGES



DIN

Load requirements according to, DIN EN 50085

