

U

Cable clamp for fastening to flat profiles

The U cable clamp with full-surface pressure trough made of galvanised steel can guide cables with a maximum diameter of 175 mm. It is suitable for fastening to flat profiles made from material max. 12 mm thick. On request, a GW counter trough can be fitted for improved cable support.

In conjunction with a grub screw that penetrates the coating, the cable clamp can be included in the equipotential bonding. The article is also available with lock nuts. This prevents the clamp from unintentionally coming loose. Grub screw and lock nuts must be specified separately when ordering.

We provide components in various materials and surface finishes to ensure that various requirements for different areas of application are met.

steel, zinc plated

Products	D	H _{max}	cables	M	W
12 U	8 - 12 mm	41 mm	1	2 Nm	0,028 kg
16 U	12 - 16 mm	46 mm	1	2 Nm	0,032 kg
20 U	16 - 20 mm	50 mm	1	2 Nm	0,037 kg
24 U	20 - 24 mm	54 mm	1	2 Nm	0,039 kg
28 U	24 - 28 mm	58 mm	1	2 Nm	0,043 kg
32 U	28 - 32 mm	63 mm	1	2 Nm	0,068 kg
36 U	32 - 36 mm	67 mm	1	2 Nm	0,074 kg
40 U	36 - 40 mm	71 mm	1	2 Nm	0,078 kg
44 U	40 - 44 mm	81 mm	1	4 Nm	0,095 kg
48 U	44 - 48 mm	85 mm	1	4 Nm	0,102 kg
52 U	48 - 52 mm	90 mm	1	4 Nm	0,107 kg
56 U	52 - 56 mm	94 mm	1	4 Nm	0,119 kg
60 U	56 - 60 mm	98 mm	1	4 Nm	0,154 kg
64 U	60 - 64 mm	102 mm	1	4 Nm	0,162 kg
70 U	64 - 70 mm	109 mm	1	4 Nm	0,176 kg
76 U	70 - 76 mm	113 mm	1	4 Nm	0,238 kg
82 U	76 - 82 mm	119 mm	1	4 Nm	0,249 kg
88 U	82 - 88 mm	125 mm	1	4 Nm	0,260 kg

Page 1



PRODUCT INFORMATION

Products	D	H _{max}	cables	M	W
94 U	88 - 94 mm	131 mm	1	4 Nm	0,283 kg
100 U	94 - 100 mm	137 mm	1	4 Nm	0,303 kg
110 U	101 - 110 mm	157 mm	1	4 Nm	0,319 kg
120 U	111 - 120 mm	167 mm	1	4 Nm	0,358 kg
150 U	145 - 150 mm	203 mm	1	6 Nm	1,082 kg
175 U	170 - 175 mm	228 mm	1	6 Nm	1,331 kg
12/2 U	8 - 12 mm	58 mm	2	2 Nm	0,035 kg
16/2 U	12 - 16 mm	67 mm	2	2 Nm	0,040 kg
20/2 U	16 - 20 mm	75 mm	2	2 Nm	0,047 kg
24/2 U	20 - 24 mm	84 mm	2	2 Nm	0,052 kg
28/2 U	24 - 28 mm	92 mm	2	2 Nm	0,061 kg
32/2 U	28 - 32 mm	101 mm	2	2 Nm	0,094 kg
36/2 U	32 - 36 mm	109 mm	2	2 Nm	0,104 kg
40/2 U	36 - 40 mm	117 mm	2	2 Nm	0,116 kg
44/2 U	40 - 44 mm	127 mm	2	4 Nm	0,133 kg
48/2 U	44 - 48 mm	135 mm	2	4 Nm	0,142 kg
52/2 U	48 - 52 mm	144 mm	2	4 Nm	0,154 kg
56/2 U	52 - 56 mm	152 mm	2	4 Nm	0,172 kg
12/3 U	8 - 12 mm	71 mm	3	2 Nm	0,042 kg
16/3 U	12 - 16 mm	85 mm	3	2 Nm	0,049 kg
20/3 U	16 - 20 mm	97 mm	3	2 Nm	0,050 kg
24/3 U	20 - 24 mm	110 mm	3	2 Nm	0,065 kg
28/3 U	24 - 28 mm	122 mm	3	2 Nm	0,075 kg

aluminium

Products	D	H _{max}	cables	M	W
12 U-AL	8 - 12 mm	41 mm	1	1,5 Nm	0,017 kg
16 U-AL	12 - 16 mm	46 mm	1	1,5 Nm	0,020 kg
20 U-AL	16 - 20 mm	50 mm	1	1,5 Nm	0,023 kg
24 U-AL	20 - 24 mm	54 mm	1	1,5 Nm	0,025 kg
28 U-AL	24 - 28 mm	58 mm	1	1,5 Nm	0,028 kg
32 U-AL	28 - 32 mm	63 mm	1	1,5 Nm	0,041 kg



PohlCon GmbH
 Nobelstraße 51 | 12057 Berlin
 Telefon: +49 30 68283-04 | Fax: +49 30 68283-383 | contact@pohlcon.com



PRODUCT INFORMATION

Products	D	H _{max}	cables	M	W
36 U-AL	32 - 36 mm	67 mm	1	1,5 Nm	0,045 kg
40 U-AL	36 - 40 mm	71 mm	1	1,5 Nm	0,049 kg
44 U-AL	40 - 44 mm	81 mm	1	3 Nm	0,052 kg
48 U-AL	44 - 48 mm	85 mm	1	3 Nm	0,055 kg
52 U-AL	48 - 52 mm	90 mm	1	3 Nm	0,061 kg
56 U-AL	52 - 56 mm	94 mm	1	3 Nm	0,065 kg

Stainless steel, according to ASTM 304 / BS 304 S 3

Products	D	H _{max}	cables	M	W
12 U-E	8 - 12 mm	41 mm	1	2 Nm	0,027 kg
16 U-E	12 - 16 mm	46 mm	1	2 Nm	0,030 kg
20 U-E	16 - 20 mm	50 mm	1	2 Nm	0,034 kg
24 U-E	20 - 24 mm	54 mm	1	2 Nm	0,037 kg
28 U-E	24 - 28 mm	58 mm	1	2 Nm	0,042 kg
32 U-E	28 - 32 mm	63 mm	1	2 Nm	0,059 kg
36 U-E	32 - 36 mm	67 mm	1	2 Nm	0,063 kg
40 U-E	36 - 40 mm	71 mm	1	2 Nm	0,068 kg
44 U-E	40 - 44 mm	81 mm	1	4 Nm	0,085 kg
48 U-E	44 - 48 mm	85 mm	1	4 Nm	0,089 kg
52 U-E	48 - 52 mm	90 mm	1	4 Nm	0,096 kg
56 U-E	52 - 56 mm	94 mm	1	4 Nm	0,102 kg

D: clamping range

H_{max}: maximum height

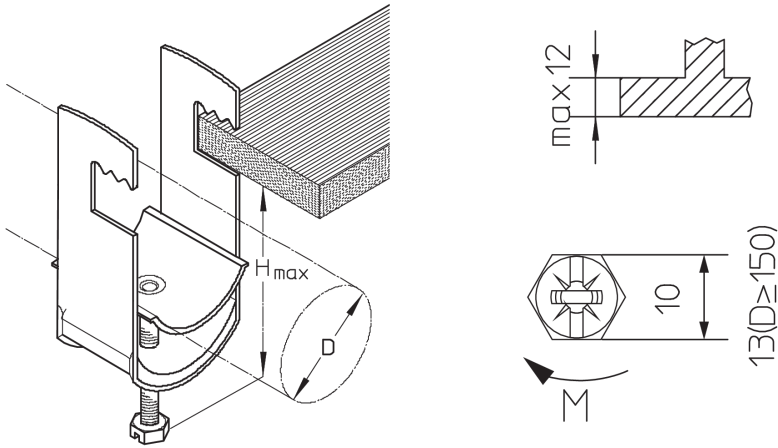
cables: max. number of cables

M: torque

W: Weight per storage unit

DETAIL AND APPLICATION IMAGES





OPTIONAL ACCESSORIES

GW 12-70, GW 76-120, GW 150-175, DW, LW

