

U-IW

Cable clamp with additional insulating tray for fastening to flat profiles

The U-IW cable clamp with a full-surface pressure trough made of galvanised steel and an additional insulating trough made of polystyrene can route cables with a maximum diameter of 70 mm. It is suitable for fastening to flat profiles made from material max. 12 mm thick. On request, a GW counter trough can be fitted for improved cable support.

In conjunction with a grub screw that penetrates the coating, the cable clamp can be included in the equipotential bonding. The article is also available with lock nuts. This prevents the clamp from unintentionally coming loose. Grub screw and lock nuts must be specified separately when ordering.

The U-IW cable clamp is made of galvanised steel.

steel, zinc plated

Products	D	H _{max}	cables	M	W
12 U-IW	8 - 12 mm	42,5 mm	1	2 Nm	0,031 kg
16 U-IW	12 - 16 mm	47,5 mm	1	2 Nm	0,033 kg
20 U-IW	16 - 20 mm	51,5 mm	1	2 Nm	0,039 kg
24 U-IW	20 - 24 mm	55,7 mm	1	2 Nm	0,042 kg
28 U-IW	24 - 28 mm	59,7 mm	1	2 Nm	0,046 kg
32 U-IW	28 - 32 mm	65 mm	1	2 Nm	0,071 kg
36 U-IW	32 - 36 mm	69 mm	1	2 Nm	0,076 kg
40 U-IW	36 - 40 mm	73 mm	1	2 Nm	0,081 kg
44 U-IW	40 - 44 mm	83 mm	1	4 Nm	0,106 kg
48 U-IW	44 - 48 mm	87 mm	1	4 Nm	0,106 kg
52 U-IW	48 - 52 mm	92,5 mm	1	4 Nm	0,114 kg
56 U-IW	52 - 56 mm	96,5 mm	1	4 Nm	0,119 kg
60 U-IW	56 - 60 mm	100,5 mm	1	4 Nm	0,159 kg
64 U-IW	60 - 64 mm	104,5 mm	1	4 Nm	0,162 kg
70 U-IW	64 - 70 mm	111,5 mm	1	4 Nm	0,186 kg

D: clamping range

H_{max}: maximum height

cables: max. number of cables

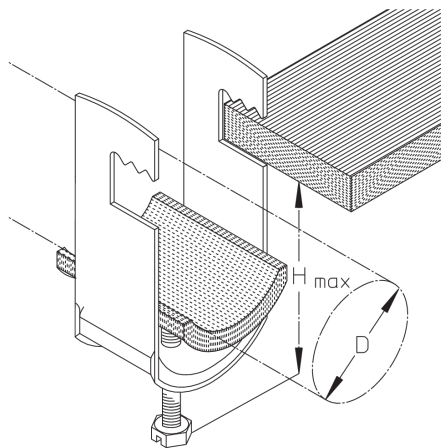
Page 1



PRODUCT INFORMATION

M: torque
W: Weight per storage unit

DETAIL AND APPLICATION IMAGES



OPTIONAL ACCESSORIES

GW 12-70

