

TBS

Trapezium bracket

The trapezium bracket TBS is used in combination with threaded rods M8 or M10 for suspending mesh cable trays or cable trays from ceilings on trapezoidal sheets. The permissible tensile force is 1.3 kN. The trapezium bracket is made out of galvanised steel.

steel, galvanic zinc plated

Products	Ø	P _{Zug}	W
TBS 8	8 mm	1,3 kN	0,142 kg
incl.: 1 × SES 8X110, 1 × SEM 8			
TBS 10	10 mm	1,3 kN	0,149 kg
incl.: 1 × SES 8X110, 1 × SEM 8			

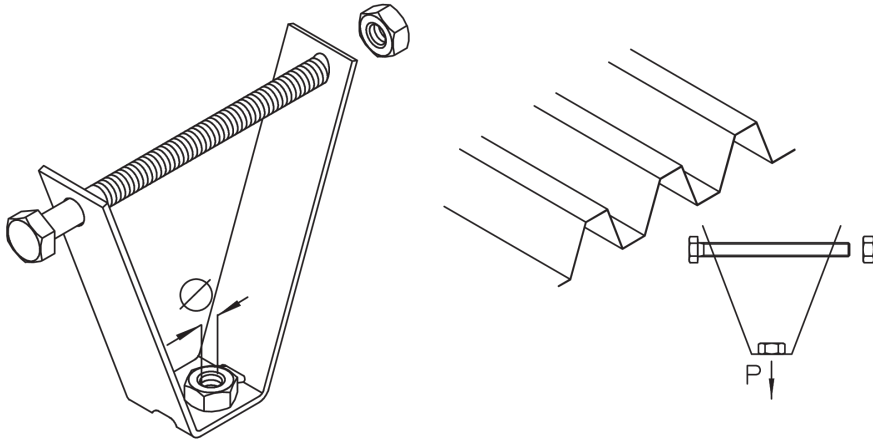
Ø: thread diameter

P_{Zug}: max. permissible tensile force

W: Weight per storage unit

DETAIL AND APPLICATION IMAGES





OPTIONAL ACCESSORIES

DSAXPEF8 2, DSAHFEF8 3

