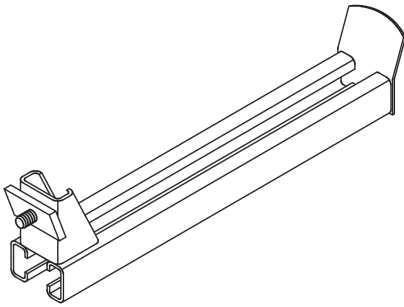


PRODUCT INFORMATION

T

Crossbeam



If the available wall or ceiling surface is not sufficient for routing cables on one level, vertically mounted T cross-beams can create additional fixing points. This makes it possible to arrange the cables in several layers. The beam is available in lengths of 200 to 600 mm and is suitable for loads of up to 3 kN. It is made of hot-dip galvanised steel.

Products	P _{max}	weight
T 20/AM18	3,00 kN	0,610 kg
incl.:		
1 × SES 8X20, 1 × AMA18 M8F		
T 25/AM18	2,40 kN	0,725 kg
incl.:		
1 × SES 8X20, 1 × AMA18 M8F		
T 30/AM18	2,00 kN	0,835 kg
incl.:		
1 × SES 8X20, 1 × AMA18 M8F		
T 35/AM18	1,70 kN	0,935 kg
incl.:		
1 × SES 8X20, 1 × AMA18 M8F		
T 40/AM18	1,50 kN	1,035 kg
incl.:		
1 × AMA18 M8F, 1 × SES 8X20		
T 45/AM18	1,40 kN	1,140 kg
incl.:		
1 × SES 8X20, 1 × AMA18 M8F		
T 50/AM18	1,20 kN	1,260 kg
incl.:		
1 × SES 8X20, 1 × AMA18 M8F		
T 60/AM18	1,00 kN	1,500 kg

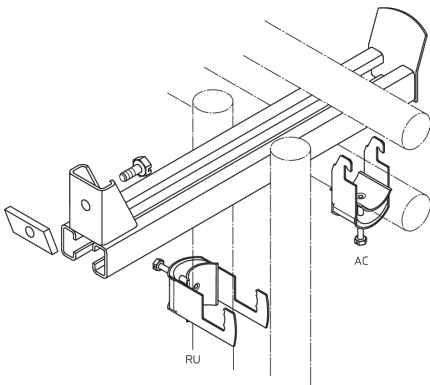


PRODUCT INFORMATION

Products	P_{max}	weight
incl.:		
1 x SES 8X20, 1 x AMA18 M8F		

P_{max} : maximum load

DETAIL AND APPLICATION IMAGES



OPTIONAL ACCESSORIES

AC, RU

