

## STUS 60

### Rung

The rungs STUS 60 can be installed in the course of or also after vertical ladder installation and are bolted to the side rail. They are suitable for STU 60 vertical ladders and are 200 to 1200 mm wide corresponding to the vertical ladder width. We provide components in various materials and surface finishes to ensure that the corrosion requirements are met for all sorts of applications.

steel, batch/hot-dip galvanized

Products	H	B	L	weight
STUS 60-02F	22 mm	200 mm	40 mm	0,384 kg
incl.:				
1 x KHA 8-02F, 2 x IK 10X20E, 4 x US 10X21E, 2 x SEM 10E				
STUS 60-03F	22 mm	300 mm	40 mm	0,534 kg
incl.:				
1 x KHA 8-03F, 2 x IK 10X20E, 4 x US 10X21E, 2 x SEM 10E				
STUS 60-04F	22 mm	400 mm	40 mm	0,694 kg
incl.:				
2 x SEM 10E, 1 x KHA 8-04F, 2 x IK 10X20E, 4 x US 10X21E				
STUS 60-05F	22 mm	500 mm	40 mm	0,844 kg
incl.:				
1 x KHA 8-05F, 2 x IK 10X20E, 4 x US 10X21E, 2 x SEM 10E				
STUS 60-06F	22 mm	600 mm	40 mm	1,004 kg
incl.:				
1 x KHA 8-06F, 2 x IK 10X20E, 4 x US 10X21E, 2 x SEM 10E				
STUS 60-07F	22 mm	700 mm	40 mm	1,154 kg
incl.:				
1 x KHA 8-07F, 2 x IK 10X20E, 4 x US 10X21E, 2 x SEM 10E				
STUS 60-08F	22 mm	800 mm	40 mm	1,314 kg
incl.:				
2 x SEM 10E, 1 x KHA 8-08F, 2 x IK 10X20E, 4 x US 10X21E				

Page 1



# PRODUCT INFORMATION

Products	H	B	L	weight
STUS 60-09F	22 mm	900 mm	40 mm	1,464 kg
incl.: 1 × KHA 8-09F, 2 × IK 10X20E, 4 × US 10X21E, 2 × SEM 10E				
STUS 60-10F	22 mm	1000 mm	40 mm	1,614 kg
incl.: 1 × KHA 8-10F, 2 × IK 10X20E, 4 × US 10X21E, 2 × SEM 10E				
STUS 60-11F	22 mm	1100 mm	40 mm	1,764 kg
incl.: 1 × KHA 8-11F, 2 × IK 10X20E, 4 × US 10X21E, 2 × SEM 10E				
STUS 60-12F	22 mm	1200 mm	40 mm	1,924 kg
incl.: 2 × SEM 10E, 1 × KHA 8-12F, 2 × IK 10X20E, 4 × US 10X21E				

## Stainless steel, according to ASTM 304 / BS 304 S 3

Products	H	B	L	weight
STUS 60-02E	22 mm	200 mm	40 mm	0,364 kg
incl.: 2 × IK 10X20E, 4 × US 10X21E, 2 × SEM 10E, 1 × KHA 8-02E4				
STUS 60-03E	22 mm	300 mm	40 mm	0,514 kg
incl.: 2 × IK 10X20E, 4 × US 10X21E, 2 × SEM 10E, 1 × KHA 8-03E4				
STUS 60-04E	22 mm	400 mm	40 mm	0,664 kg
incl.: 2 × IK 10X20E, 4 × US 10X21E, 2 × SEM 10E, 1 × KHA 8-04E4				
STUS 60-05E	22 mm	500 mm	40 mm	0,814 kg
incl.: 1 × KHA 8-05E4, 2 × IK 10X20E, 4 × US 10X21E, 2 × SEM 10E				
STUS 60-06E	22 mm	600 mm	40 mm	0,954 kg
incl.: 2 × IK 10X20E, 4 × US 10X21E, 2 × SEM 10E, 1 × KHA 8-06E4				
STUS 60-07E	22 mm	700 mm	40 mm	1,104 kg

Page 2



PohlCon GmbH  
Nobelstraße 51 | 12057 Berlin  
Telefon: +49 30 68283-04 | Fax: +49 30 68283-383 | contact@pohlcon.com

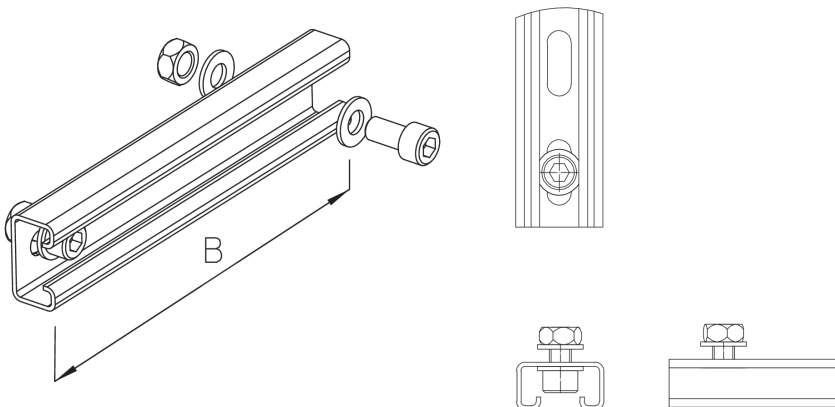


# PRODUCT INFORMATION

Products	H	B	L	weight
incl.: 2 × IK 10X20E, 4 × US 10X21E, 2 × SEM 10E, 1 × KHA 8-07E4				
STUS 60-08E	22 mm	800 mm	40 mm	1,254 kg
incl.: 2 × IK 10X20E, 4 × US 10X21E, 2 × SEM 10E, 1 × KHA 8-08E4				
STUS 60-09E	22 mm	900 mm	40 mm	1,394 kg
incl.: 1 × KHA 8-09E4, 2 × IK 10X20E, 4 × US 10X21E, 2 × SEM 10E				
STUS 60-10E	22 mm	1000 mm	40 mm	1,544 kg
incl.: 2 × IK 10X20E, 4 × US 10X21E, 2 × SEM 10E, 1 × KHA 8-10E4				
STUS 60-11E	22 mm	1100 mm	40 mm	1,694 kg
incl.: 2 × IK 10X20E, 4 × US 10X21E, 2 × SEM 10E, 1 × KHA 8-11E4				
STUS 60-12E	22 mm	1200 mm	40 mm	1,834 kg
incl.: 2 × IK 10X20E, 4 × US 10X21E, 2 × SEM 10E, 1 × KHA 8-12E4				

**H:** height  
**B:** width  
**L:** length

## DETAIL AND APPLICATION IMAGES



Page 3



PohlCon GmbH  
Nobelstraße 51 | 12057 Berlin  
Telefon: +49 30 68283-04 | Fax: +49 30 68283-383 | [contact@pohlcon.com](mailto:contact@pohlcon.com)





PohlCon GmbH  
Nobelstraße 51 | 12057 Berlin  
Telefon: +49 30 68283-04 | Fax: +49 30 68283-383 | [contact@pohlcon.com](mailto:contact@pohlcon.com)

