

STU 60

Vertical ladder, isosceles U profile

STU 60 vertical ladders consist of perforated side rails with U profiles and rungs made of 40x22 mm profile rails. They are designed for a maximum load of up to 2.00 kN, are 200 to 1200 mm wide and are available in standard lengths of 3000 and 6000 mm. We provide components in various materials and surface finishes to ensure that the corrosion requirements are met for all sorts of applications.

steel, batch/hot-dip galvanized

Products	H	B	L	P _{max}	weight
STU 60-02-3F	60 mm	200 mm	3000 mm	2,00 kN	22,980 kg
incl.: 2 × KHU 60-30F, 5 × STUS 60-02F					
STU 60-03-3F	60 mm	300 mm	3000 mm	2,00 kN	23,730 kg
incl.: 2 × KHU 60-30F, 5 × STUS 60-03F					
STU 60-04-3F	60 mm	400 mm	3000 mm	2,00 kN	24,530 kg
incl.: 2 × KHU 60-30F, 5 × STUS 60-04F					
STU 60-05-3F	60 mm	500 mm	3000 mm	2,00 kN	25,280 kg
incl.: 2 × KHU 60-30F, 5 × STUS 60-05F					
STU 60-06-3F	60 mm	600 mm	3000 mm	2,00 kN	26,080 kg
incl.: 2 × KHU 60-30F, 5 × STUS 60-06F					
STU 60-07-3F	60 mm	700 mm	3000 mm	2,00 kN	26,830 kg
incl.: 2 × KHU 60-30F, 5 × STUS 60-07F					
STU 60-08-3F	60 mm	800 mm	3000 mm	2,00 kN	27,630 kg
incl.: 5 × STUS 60-08F, 2 × KHU 60-30F					

Page 1



PRODUCT INFORMATION

Products	H	B	L	P _{max}	weight
STU 60-09-3F	60 mm	900 mm	3000 mm	2,00 kN	28,380 kg
incl.: 2 × KHU 60-30F, 5 × STUS 60-09F					
STU 60-10-3F	60 mm	1000 mm	3000 mm	2,00 kN	29,130 kg
incl.: 2 × KHU 60-30F, 5 × STUS 60-10F					
STU 60-11-3F	60 mm	1100 mm	3000 mm	2,00 kN	29,880 kg
incl.: 2 × KHU 60-30F, 5 × STUS 60-11F					
STU 60-12-3F	60 mm	1200 mm	3000 mm	2,00 kN	30,680 kg
incl.: 2 × KHU 60-30F, 5 × STUS 60-12F					
STU 60-02F	60 mm	200 mm	6000 mm	2,00 kN	46,040 kg
incl.: 2 × KHU 60-60F, 10 × STUS 60-02F					
STU 60-03F	60 mm	300 mm	6000 mm	2,00 kN	47,540 kg
incl.: 10 × STUS 60-03F, 2 × KHU 60-60F					
STU 60-04F	60 mm	400 mm	6000 mm	2,00 kN	49,140 kg
incl.: 2 × KHU 60-60F, 5 × STUS 60-04F					
STU 60-05F	60 mm	500 mm	6000 mm	2,00 kN	50,640 kg
incl.: 2 × KHU 60-60F, 10 × STUS 60-05F					
STU 60-06F	60 mm	600 mm	6000 mm	2,00 kN	52,240 kg
incl.: 2 × KHU 60-60F, 10 × STUS 60-06F					
STU 60-07F	60 mm	700 mm	6000 mm	2,00 kN	53,740 kg
incl.: 2 × KHU 60-60F, 10 × STUS 60-07F					
STU 60-08F	60 mm	800 mm	6000 mm	2,00 kN	55,340 kg
incl.: 2 × KHU 60-60F, 10 × STUS 60-08F					
STU 60-09F	60 mm	900 mm	6000 mm	2,00 kN	56,840 kg

Page 2



PRODUCT INFORMATION

Products	H	B	L	P _{max}	weight
incl. 2 × KHU 60-60F, 10 × STUS 60-09F					
STU 60-10F	60 mm	1000 mm	6000 mm	2,00 kN	58,340 kg
incl. 2 × KHU 60-60F, 10 × STUS 60-10F					
STU 60-11F	60 mm	1100 mm	6000 mm	2,00 kN	59,840 kg
incl. 10 × STUS 60-11F, 2 × KHU 60-60F					
STU 60-12F	60 mm	1200 mm	6000 mm	2,00 kN	61,440 kg
incl. 2 × KHU 60-60F, 10 × STUS 60-12F					

Stainless steel, according to ASTM 304 / BS 304 S 3

Products	H	B	L	P _{max}	weight
STU 60-02-3E	60 mm	200 mm	3000 mm	2,00 kN	21,620 kg
incl. 2 × KHU 60-30E, 5 × STUS 60-02E					
STU 60-03-3E	60 mm	300 mm	3000 mm	2,00 kN	22,370 kg
incl. 2 × KHU 60-30E, 5 × STUS 60-03E					
STU 60-04-3E	60 mm	400 mm	3000 mm	2,00 kN	23,120 kg
incl. 2 × KHU 60-30E, 5 × STUS 60-04E					
STU 60-05-3E	60 mm	500 mm	3000 mm	2,00 kN	23,870 kg
incl. 2 × KHU 60-30E, 10 × STUS 60-05E					
STU 60-06-3E	60 mm	600 mm	3000 mm	2,00 kN	24,570 kg
incl. 2 × KHU 60-30E, 5 × STUS 60-06E					
STU 60-07-3E	60 mm	700 mm	3000 mm	2,00 kN	25,320 kg
incl. 2 × KHU 60-30E, 5 × STUS 60-07E					

Page 3



PohlCon GmbH
Nobelstraße 51 | 12057 Berlin
Telefon: +49 30 68283-04 | Fax: +49 30 68283-383 | contact@pohlcon.com



PRODUCT INFORMATION

Products	H	B	L	P _{max}	weight
STU 60-08-3E	60 mm	800 mm	3000 mm	2,00 kN	26,070 kg
incl. 5 × STUS 60-08E, 2 × KHU 60-30E					
STU 60-09-3E	60 mm	900 mm	3000 mm	2,00 kN	26,770 kg
incl. 2 × KHU 60-30E, 5 × STUS 60-09E					
STU 60-10-3E	60 mm	1000 mm	3000 mm	2,00 kN	27,520 kg
incl. 2 × KHU 60-30E, 5 × STUS 60-10E					
STU 60-11-3E	60 mm	1100 mm	3000 mm	2,00 kN	28,270 kg
incl. 2 × KHU 60-30E, 5 × STUS 60-11E					
STU 60-12-3E	60 mm	1200 mm	3000 mm	2,00 kN	28,970 kg
incl. 2 × KHU 60-30E, 5 × STUS 60-12E					
STU 60-02E	60 mm	200 mm	6000 mm	2,00 kN	43,500 kg
incl. 2 × KHU 60-60E, 10 × STUS 60-02E					
STU 60-03E	60 mm	300 mm	6000 mm	2,00 kN	45,000 kg
incl. 2 × KHU 60-60E, 10 × STUS 60-03E					
STU 60-04E	60 mm	400 mm	6000 mm	2,00 kN	46,500 kg
incl. 2 × KHU 60-60E, 10 × STUS 60-04E					
STU 60-05E	60 mm	500 mm	6000 mm	2,00 kN	48,000 kg
incl. 10 × STUS 60-05E, 2 × KHU 60-60E					
STU 60-06E	60 mm	600 mm	6000 mm	2,00 kN	49,400 kg
incl. 2 × KHU 60-60E, 10 × STUS 60-06E					
STU 60-07E	60 mm	700 mm	6000 mm	2,00 kN	50,900 kg
incl. 2 × KHU 60-60E, 10 × STUS 60-07E					
STU 60-08E	60 mm	800 mm	6000 mm	2,00 kN	52,400 kg

Page 4

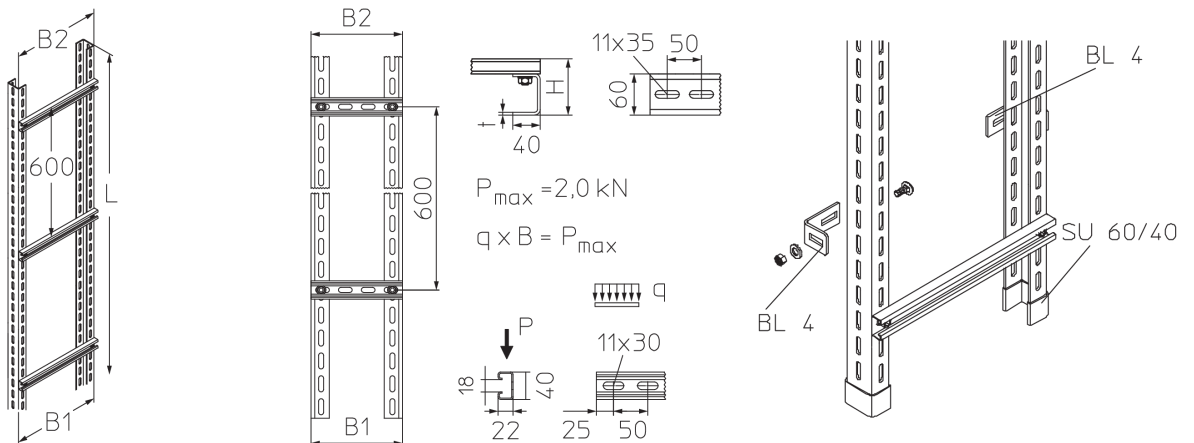


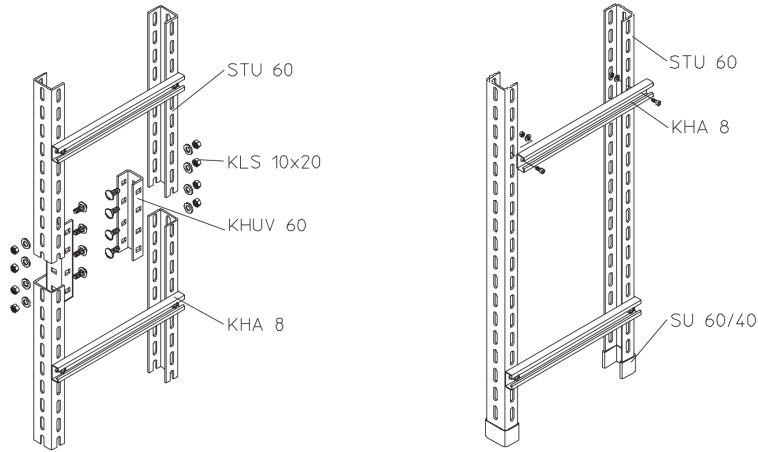
PRODUCT INFORMATION

Products	H	B	L	P_{max}	weight
incl.: 2 × KHU 60-60E, 10 × STUS 60-08E					
STU 60-09E	60 mm	900 mm	6000 mm	2,00 kN	53,800 kg
incl.: 2 × KHU 60-60E, 10 × STUS 60-09E					
STU 60-10E	60 mm	1000 mm	6000 mm	2,00 kN	55,300 kg
incl.: 2 × KHU 60-60E, 5 × STUS 60-10E					
STU 60-11E	60 mm	1100 mm	6000 mm	2,00 kN	56,800 kg
incl.: 2 × KHU 60-60E, 10 × STUS 60-11E					
STU 60-12E	60 mm	1200 mm	6000 mm	2,00 kN	58,200 kg
incl.: 2 × KHU 60-60E, 10 × STUS 60-12E					

H: height
B: width
L: length
 P_{max} : maximum load

DETAIL AND APPLICATION IMAGES





OPTIONAL ACCESSORIES

STUS 60, AC, KHUV 60, STR 50, STR 110, STD-A, RD, BGU 60, BL 4, SU 60, KZF, KZS

