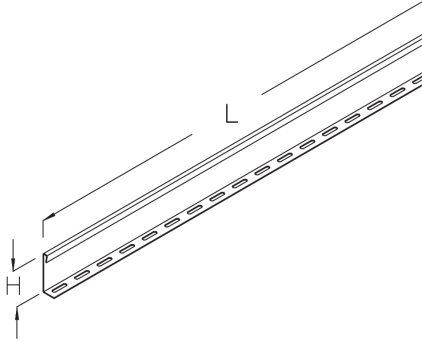


## STR 110

Vertical ladder separating strip, height = 50 mm



Cables and lines with different functions or voltages can be routed separately from one another in the same vertical ladder using vertical ladder separating strip STR 110. The separating strip is bolted to the ladder three times: in the middle and on the last rungs of the two ends of the separating strip. The separating strip STR 110 is suitable for all vertical ladders with the exception of LGG 60. It is 50 mm high and 3000 mm long. We provide components in various materials and surface finishes to ensure that the corrosion requirements are met for all sorts of applications.

steel, continuously hot galvanized/Sendzimir process

Products	L	W
STR 110S	3000 mm	1,603 kg

steel, batch/hot-dip galvanized

Products	L	W
STR 110F	3000 mm	1,709 kg

Stainless steel, according to ASTM 304 / BS 304 S 3

Products	L	W
STR 110E	3000 mm	2,103 kg

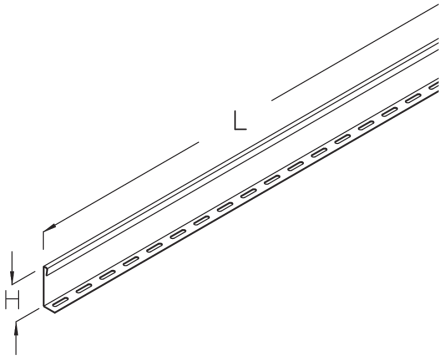
**L:** length  
**W:** Weight per storage unit

## DETAIL AND APPLICATION IMAGES



# PRODUCT INFORMATION

---



PohlCon GmbH  
Nobelstraße 51 | 12057 Berlin  
Telefon: +49 30 68283-04 | Fax: +49 30 68283-383 | [contact@pohlcon.com](mailto:contact@pohlcon.com)

