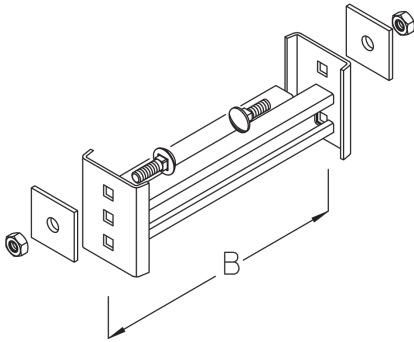


STISD

Rung

The rungs STISD are installed while fitting the vertical ladder and bolted to the side rail. They are suitable for ST 82 vertical ladders for double-sided cable assignment. They are 200 to 1200 mm wide corresponding to the vertical ladder width and are made of hot-dip galvanized steel.



steel, batch/hot-dip galvanized

Products	H	B	L	W
STISD 02F	44 mm	200 mm	40 mm	1,149 kg
incl.:				
2 × FRS 10X30F, 2 × SEM 10F, 2 × RUS 50-L13F, 2 × SES 8X16E, 2 × SEMS 8E				
STISD 03F	44 mm	300 mm	40 mm	1,464 kg
incl.:				
2 × FRS 10X30F, 2 × SEM 10F, 2 × RUS 50-L13F, 2 × SES 8X16E, 2 × SEMS 8E				
STISD 04F	44 mm	400 mm	40 mm	1,782 kg
incl.:				
2 × FRS 10X30F, 2 × SEM 10F, 2 × RUS 50-L13F, 2 × SES 8X16E, 2 × SEMS 8E				
STISD 05F	44 mm	500 mm	40 mm	2,094 kg
incl.:				
2 × FRS 10X30F, 2 × SEM 10F, 2 × RUS 50-L13F, 2 × SES 8X16E, 2 × SEMS 8E				
STISD 06F	44 mm	600 mm	40 mm	2,269 kg
incl.:				
2 × FRS 10X30F, 2 × SEM 10F, 2 × RUS 50-L13F, 2 × SES 8X16E, 2 × SEMS 8E				
STISD 07F	44 mm	700 mm	40 mm	2,733 kg
incl.:				
2 × SEM 10F, 2 × RUS 50-L13F, 2 × SES 8X16E, 2 × SEMS 8E, 2 × FRS 10X30F				
STISD 08F	44 mm	800 mm	40 mm	3,058 kg
incl.:				
2 × FRS 10X30F, 2 × SEM 10F, 2 × RUS 50-L13F, 2 × SES 8X16E, 2 × SEMS 8E				

Page 1



PRODUCT INFORMATION

Products	H	B	L	W
STISD 09F	44 mm	900 mm	40 mm	3,373 kg
incl.: 2 × FRS 10X30F, 2 × SEM 10F, 2 × RUS 50-L13F, 2 × SES 8X16E, 2 × SEMS 8E				
STISD 10F	44 mm	1000 mm	40 mm	3,698 kg
incl.: 2 × RUS 50-L13F, 2 × SES 8X16E, 2 × SEMS 8E, 2 × FRS 10X30F, 2 × SEM 10F				
STISD 11F	44 mm	1100 mm	40 mm	4,013 kg
incl.: 2 × FRS 10X30F, 2 × SEM 10F, 2 × RUS 50-L13F, 2 × SES 8X16E, 2 × SEMS 8E				
STISD 12F	44 mm	1200 mm	40 mm	4,332 kg
incl.: 2 × FRS 10X30F, 2 × SEM 10F, 2 × RUS 50-L13F, 2 × SES 8X16E, 2 × SEMS 8E				

H: height
B: width
L: length
W: Weight per storage unit

DETAIL AND APPLICATION IMAGES

