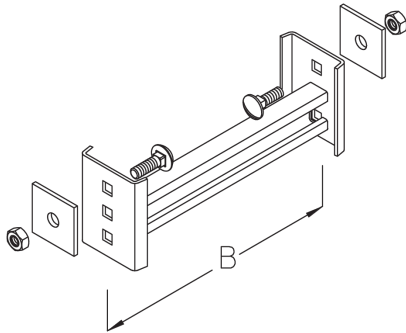


STIS Rung



The rungs STIS are installed while fitting the vertical ladder and bolted to the side rail. They are suitable for ST 81 vertical ladders. The rungs are 200 to 1200 wide mm corresponding to the vertical ladder width and are made of hot-dip galvanized steel.

steel, batch/hot-dip galvanized

Products	H	B	L	W
STIS 02F	22 mm	200 mm	40 mm	0,887 kg
incl.:				
2 × FRS 10X30F, 2 × SEM 10F, 2 × RUS 50-L13F				
STIS 03F	22 mm	300 mm	40 mm	1,052 kg
incl.:				
2 × FRS 10X30F, 2 × RUS 50-L13F, 2 × SEM 10F				
STIS 04F	22 mm	400 mm	40 mm	1,217 kg
incl.:				
2 × FRS 10X30F, 2 × RUS 50-L13F, 2 × SEM 10F				
STIS 05F	22 mm	500 mm	40 mm	1,382 kg
incl.:				
2 × SEM 10F, 2 × FRS 10X30F, 2 × RUS 50-L13F				
STIS 06F	22 mm	600 mm	40 mm	1,547 kg
incl.:				
2 × FRS 10X30F, 2 × RUS 50-L13F, 2 × SEM 10F				
STIS 07F	22 mm	700 mm	40 mm	1,711 kg
incl.:				
2 × FRS 10X30F, 2 × RUS 50-L13F, 2 × SEM 10F				
STIS 08F	22 mm	800 mm	40 mm	1,876 kg
incl.:				
2 × FRS 10X30F, 2 × RUS 50-L13F, 2 × SEM 10F				

Page 1



PRODUCT INFORMATION

Products	H	B	L	W
STIS 09F	22 mm	900 mm	40 mm	2,041 kg
incl.: 2 × FRS 10X30F, 2 × RUS 50-L13F, 2 × SEM 10F				
STIS 10F	22 mm	1000 mm	40 mm	2,206 kg
incl.: 2 × FRS 10X30F, 2 × RUS 50-L13F, 2 × SEM 10F				
STIS 11F	22 mm	1100 mm	40 mm	2,371 kg
incl.: 2 × FRS 10X30F, 2 × RUS 50-L13F, 2 × SEM 10F				
STIS 12F	22 mm	1200 mm	40 mm	2,535 kg
incl.: 2 × FRS 10X30F, 2 × RUS 50-L13F, 2 × SEM 10F				

H: height
B: width
L: length
W: Weight per storage unit

DETAIL AND APPLICATION IMAGES

