

ST-BS 81

Vertical ladder, I profile, maintenance of function



steel, batch/hot-dip galvanized

| Products | H | B | L | W |
|----------------------------|-------|--------|---------|-----------|
| ST-BS 81-02-3F | 80 mm | 200 mm | 3000 mm | 44,470 kg |
| incl.: | | | | |
| 2 × KHI 30F, 10 × STIS 02F | | | | |
| ST-BS 81-02F | 80 mm | 200 mm | 6000 mm | 88,940 kg |
| incl.: | | | | |
| 2 × KHI 60F, 20 × STIS 02F | | | | |
| ST-BS 81-03-3F | 80 mm | 300 mm | 3000 mm | 46,120 kg |
| incl.: | | | | |
| 2 × KHI 30F, 10 × STIS 03F | | | | |
| ST-BS 81-03F | 80 mm | 300 mm | 6000 mm | 92,240 kg |
| incl.: | | | | |
| 2 × KHI 60F, 20 × STIS 03F | | | | |
| ST-BS 81-04-3F | 80 mm | 400 mm | 3000 mm | 47,770 kg |
| incl.: | | | | |
| 2 × KHI 30F, 10 × STIS 04F | | | | |
| ST-BS 81-04F | 80 mm | 400 mm | 6000 mm | 95,540 kg |
| incl.: | | | | |
| 2 × KHI 60F, 20 × STIS 04F | | | | |
| ST-BS 81-05-3F | 80 mm | 500 mm | 3000 mm | 49,420 kg |
| incl.: | | | | |
| 10 × STIS 05F, 2 × KHI 30F | | | | |

Page 1

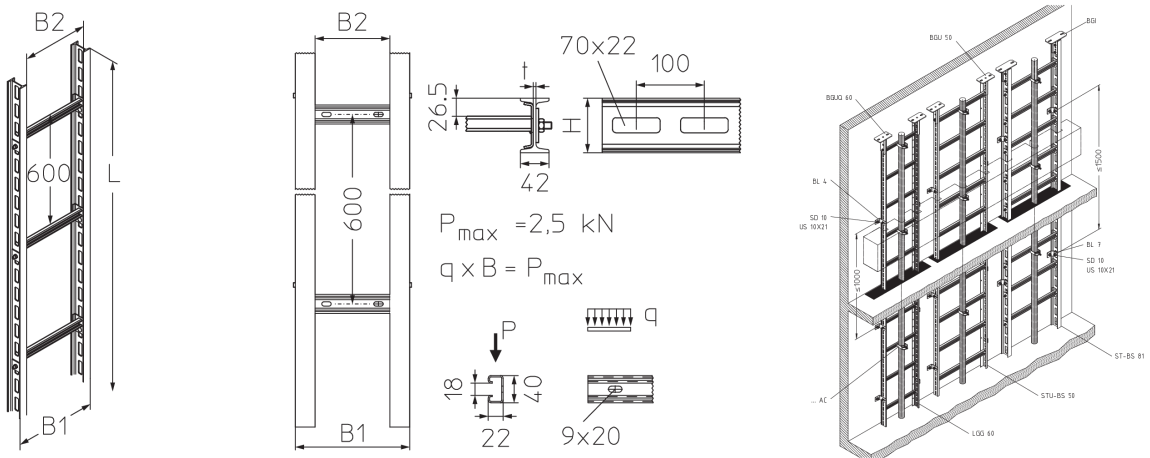


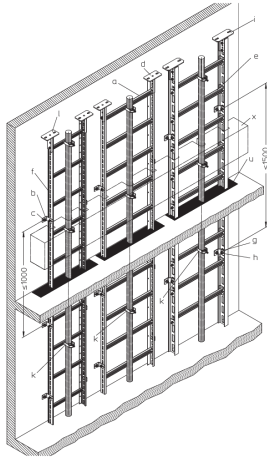
PRODUCT INFORMATION

| Products | H | B | L | W |
|--------------------------------------|-------|--------|---------|------------|
| ST-BS 81-05F | 80 mm | 500 mm | 6000 mm | 98,840 kg |
| incl.: 2 × KHI 60F, 20 × STIS 05F | | | | |
| ST-BS 81-06-3F | 80 mm | 600 mm | 3000 mm | 51,070 kg |
| incl.: 2 × KHI 30F, 10 × STIS 06F | | | | |
| ST-BS 81-06F | 80 mm | 600 mm | 6000 mm | 102,140 kg |
| incl.: 2 × KHI 60F, 20 × STIS 06F | | | | |

H: height
B: width
L: length
W: Weight per storage unit

DETAIL AND APPLICATION IMAGES





OPTIONAL ACCESSORIES

BGIQ, BL 7, AC, HKI

