

## ST 82

### Vertical ladder, I profile

The ST 82 heavy-duty vertical ladders are made from hot-dip galvanised steel. They consist of perforated side rails with I profiles and rungs made of 40x22 mm profile rails. Side rails and rungs are supplied with all required bolts and nuts and assembled on site. The ladders are designed for a maximum load of up to 5.00 kN, are 200 to 1200 mm wide and are available in standard lengths of 3000 and 6000 mm.

steel, batch/hot-dip galvanized

Products	H	B	L	P <sub>max</sub>	W
ST 82-02-3F	80 mm	200 mm	3000 mm	5,00 kN	41,342 kg
incl.:					
5 × STISD 02F, 2 × KHI 30F					
ST 82-03-3F	80 mm	300 mm	3000 mm	5,00 kN	42,917 kg
incl.:					
5 × STISD 03F, 2 × KHI 30F					
ST 82-04-3F	80 mm	400 mm	3000 mm	5,00 kN	44,507 kg
incl.:					
5 × STISD 04F, 2 × KHI 30F					
ST 82-05-3F	80 mm	500 mm	3000 mm	5,00 kN	46,067 kg
incl.:					
5 × STISD 05F, 2 × KHI 30F					
ST 82-06-3F	80 mm	600 mm	3000 mm	5,00 kN	46,942 kg
incl.:					
5 × STISD 06F, 2 × KHI 30F					
ST 82-07-3F	80 mm	700 mm	3000 mm	5,00 kN	49,262 kg
incl.:					
5 × STISD 07F, 2 × KHI 30F					
ST 82-08-3F	80 mm	800 mm	3000 mm	5,00 kN	50,887 kg
incl.:					
5 × STISD 08F, 2 × KHI 30F					

Page 1



# PRODUCT INFORMATION

Products	H	B	L	P <sub>max</sub>	W
ST 82-09-3F	80 mm	900 mm	3000 mm	5,00 kN	52,462 kg
incl.: 2 × KHI 30F, 5 × STISD 09F					
ST 82-10-3F	80 mm	1000 mm	3000 mm	5,00 kN	54,087 kg
incl.: 5 × STISD 10F, 2 × KHI 30F					
ST 82-11-3F	80 mm	1100 mm	3000 mm	5,00 kN	55,662 kg
incl.: 5 × STISD 11F, 2 × KHI 30F					
ST 82-12-3F	80 mm	1200 mm	3000 mm	5,00 kN	57,257 kg
incl.: 5 × STISD 12F, 2 × KHI 30F					
ST 82-02F	80 mm	200 mm	6000 mm	5,00 kN	82,684 kg
incl.: 2 × KHI 60F, 10 × STISD 02F					
ST 82-03F	80 mm	300 mm	6000 mm	5,00 kN	85,834 kg
incl.: 10 × STISD 03F, 2 × KHI 60F					
ST 82-04F	80 mm	400 mm	6000 mm	5,00 kN	89,014 kg
incl.: 10 × STISD 04F, 2 × KHI 60F					
ST 82-05F	80 mm	500 mm	6000 mm	5,00 kN	92,134 kg
incl.: 10 × STISD 05F, 2 × KHI 60F					
ST 82-06F	80 mm	600 mm	6000 mm	5,00 kN	93,884 kg
incl.: 10 × STISD 06F, 2 × KHI 60F					
ST 82-07F	80 mm	700 mm	6000 mm	5,00 kN	98,524 kg
incl.: 10 × STISD 07F, 2 × KHI 60F					
ST 82-08F	80 mm	800 mm	6000 mm	5,00 kN	101,774 kg
incl.: 10 × STISD 08F, 2 × KHI 60F					
ST 82-09F	80 mm	900 mm	6000 mm	5,00 kN	104,924 kg

Page 2

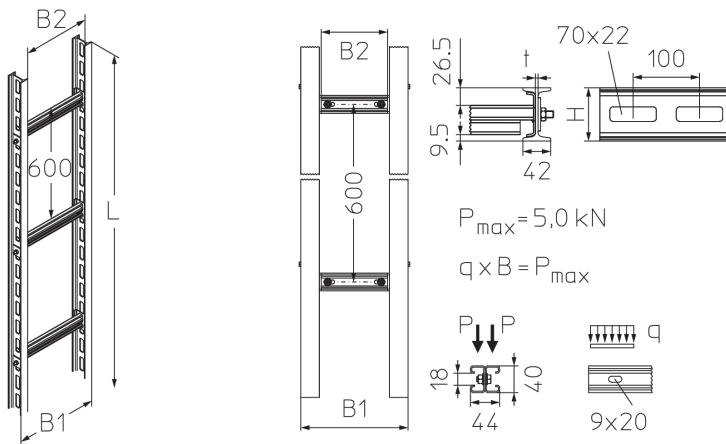


# PRODUCT INFORMATION

Products	H	B	L	P <sub>max</sub>	W
incl.: 10 × STISD 09F, 2 × KHI 60F					
ST 82-10F	80 mm	1000 mm	6000 mm	5,00 kN	108,174 kg
incl.: 2 × KHI 60F, 10 × STISD 10F					
ST 82-11F	80 mm	1100 mm	6000 mm	5,00 kN	111,324 kg
incl.: 10 × STISD 11F, 2 × KHI 60F					
ST 82-12F	80 mm	1200 mm	6000 mm	5,00 kN	114,514 kg
incl.: 10 × STISD 12F, 2 × KHI 60F					

**H:** height  
**B:** width  
**L:** length  
**P<sub>max</sub>:** maximum load  
**W:** Weight per storage unit

## DETAIL AND APPLICATION IMAGES



## OPTIONAL ACCESSORIES

AC, STR 110, STISD, HKI, BGI, BGIQ, BL 7, SI, STDE, STDES





PohlCon GmbH  
Nobelstraße 51 | 12057 Berlin  
Telefon: +49 30 68283-04 | Fax: +49 30 68283-383 | [contact@pohlcon.com](mailto:contact@pohlcon.com)

