

SRS-R

Tube clamp

The tube clamp SRS-R is used to fix the protective tube to the corresponding cable tray or to the wall or masonry. It is available in diameters of 30 or 60 mm. We provide components in various materials and surface finishes to ensure that various corrosion protection requirements for different areas of application are met.

steel, batch/hot-dip galvanized

Products	B	L	D	t	W
SRS-R 30F	25 mm	85 mm	31 mm	2,50 mm	0,060 kg
SRS-R 60F	30 mm	160 mm	61 mm	4,00 mm	0,220 kg

Stainless steel, according to ASTM 304 / BS 304 S 3

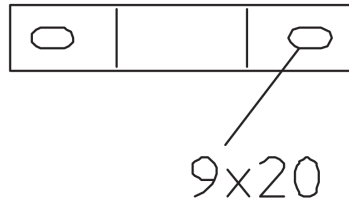
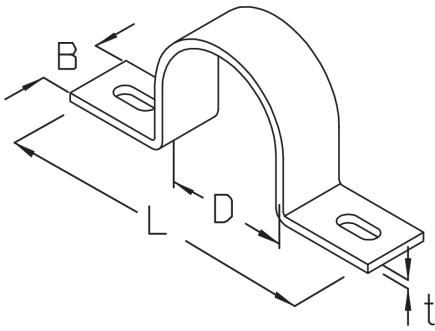
Products	B	L	D	t	W
SRS-R 30E	25 mm	85 mm	31 mm	2,50 mm	0,060 kg
SRS-R 60E	30 mm	160 mm	61 mm	4,00 mm	0,220 kg

B: width
L: length
D: diameter
t: material thickness
W: Weight per storage unit

DETAIL AND APPLICATION IMAGES



PRODUCT INFORMATION



OPTIONAL ACCESSORIES

SR, SRL, SRB 45, SRB 90

