

SRS-A

Anchor clamp

The anchor clamp SRS-A and 70 mm profile rail attached to it can be used, for example, to attached signs to the protective tube. The anchor clamp is available with diameters of 30 or 60 mm. We provide components in various materials and surface finishes to ensure that various corrosion protection requirements for different areas of application are met.

steel, batch/hot-dip galvanized

Products	L	D	t	weight
SRS-A 30F	70 mm	30 mm	1,50 mm	0,060 kg
SRS-A 60F	70 mm	60 mm	1,50 mm	0,080 kg

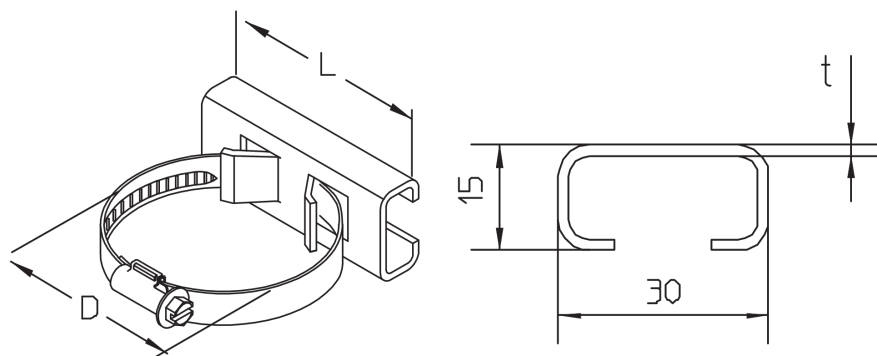
Stainless steel, according to ASTM 304 / BS 304 S 3

Products	L	D	t	weight
SRS-A 30E	70 mm	30 mm	1,50 mm	0,060 kg
SRS-A 60E	70 mm	60 mm	1,50 mm	0,080 kg

L: length
D: diameter
t: material thickness

DETAIL AND APPLICATION IMAGES





OPTIONAL ACCESSORIES

SR, SRL, SRB 45, SRB 90

