

## SRMP-A

Assembly plate, 165x175 mm

Signs, distributor boxes or measurement technology can be attached to assembly plate SRMP-A. The assembly plate itself is attached to the protective tube system using two worm drive clamps. The assembly plate is available in dimensions of 165 x 175 mm. We provide components in various materials and surface finishes to ensure that various corrosion protection requirements for different areas of application are met.

steel, batch/hot-dip galvanized

Products	H	B	D	t	weight
SRMP-A 30F	175 mm	165 mm	30 mm	3,00 mm	0,580 kg
SRMP-A 60F	175 mm	165 mm	60 mm	3,00 mm	0,600 kg

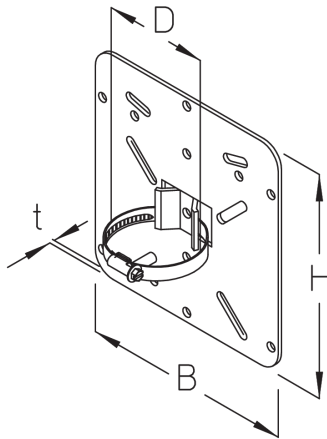
Stainless steel, according to ASTM 304 / BS 304 S 3

Products	H	B	D	t	weight
SRMP-A 30E	175 mm	165 mm	30 mm	3,00 mm	0,580 kg
SRMP-A 60E	175 mm	165 mm	60 mm	3,00 mm	0,600 kg

**H:** height  
**B:** width  
**D:** diameter  
**t:** material thickness

## DETAIL AND APPLICATION IMAGES





## OPTIONAL ACCESSORIES

SR, SRL

