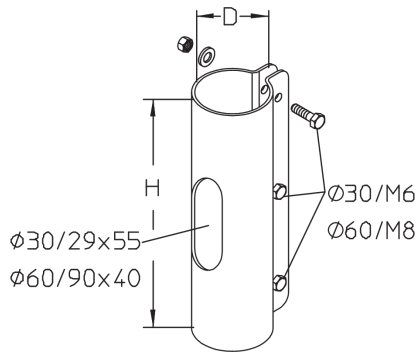


## SRML

### Slotted sleeve



The sleeve SRML with slots is used to connect two protective tubes or protective tubes with tube bends. Cables can be fed in and out through the slot in the connection area. The sleeve is 130 or 230 mm high and 30 or 60 mm in diameter. We provide components in various materials and surface finishes to ensure that various corrosion protection requirements for different areas of application are met.

steel, batch/hot-dip galvanized

Products	H	D	t	W
SRML 30F	130 mm	30 mm	1,50 mm	0,200 kg
SRML 60F	230 mm	60 mm	2,50 mm	1,050 kg

Stainless steel, according to ASTM 304 / BS 304 S 3

Products	H	D	t	W
SRML 30E	130 mm	30 mm	1,50 mm	0,200 kg
SRML 60E	230 mm	60 mm	2,50 mm	1,050 kg

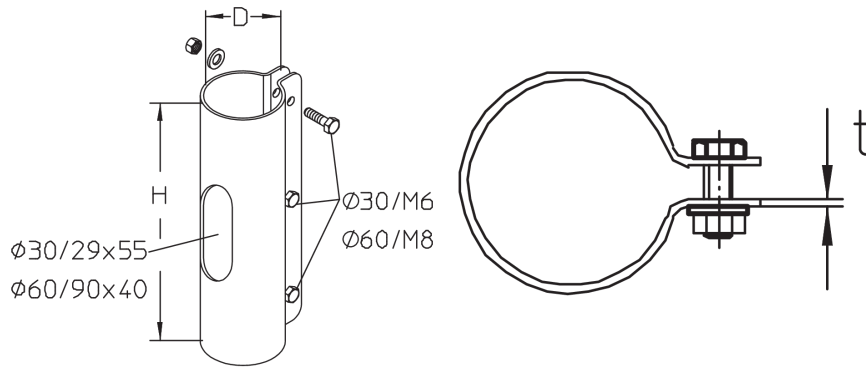
**H:** height  
**D:** diameter  
**t:** material thickness  
**W:** Weight per storage unit

## DETAIL AND APPLICATION IMAGES



# PRODUCT INFORMATION

---



## OPTIONAL ACCESSORIES

SR, SRL, SRB 45, SRB 90

