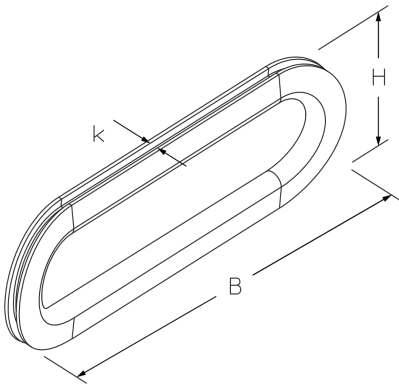


SRL-KSR 100

Edge protection ring

The edge protection rings SRL-KSR 100 are placed in the slots of SRL slotted protective tubes and protect cables that are fed in or out through the holes. The edge protection ring is made of polyvinyl chloride.

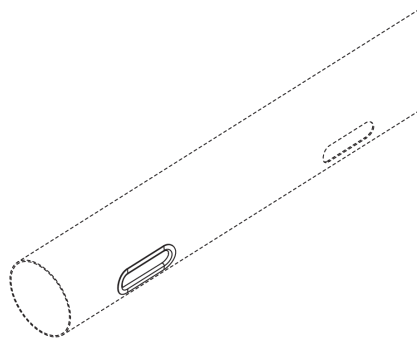
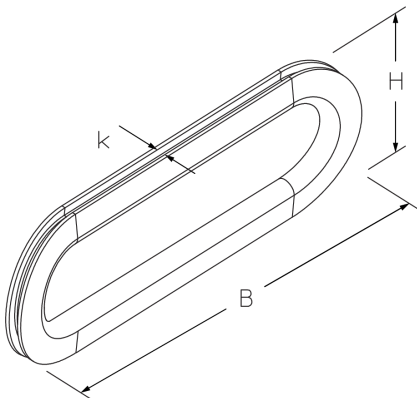


Polyvinyl chloride

Products	H	B	L	weight
SRL-KSR 100	28 mm	2 mm	100 mm	0,016 kg

H: height
B: width
L: length

DETAIL AND APPLICATION IMAGES



OPTIONAL ACCESSORIES

SRL

