

SRHD

Protective tube holder, swivelling

The rotatable protective tube holder SRHD is used to attach the protective tube system to the corresponding cable tray. It is available in diameters of 30 or 60 mm. We provide components in various materials and surface finishes to ensure that various corrosion protection requirements for different areas of application are met.

steel, batch/hot-dip galvanized

Products	H	B	L	D	t	weight
SRHD 30F	62 mm	15 mm	80 mm	30 mm	1,50 mm	0,700 kg
SRHD 60F	102 mm	15 mm	115 mm	60 mm	2,00 mm	1,200 kg

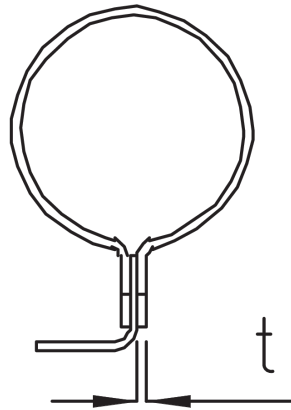
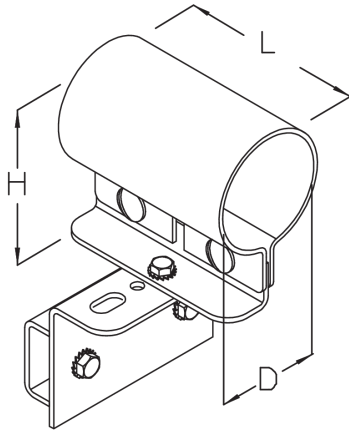
Stainless steel, according to ASTM 304 / BS 304 S 3

Products	H	B	L	D	t	weight
SRHD 30E	62 mm	15 mm	80 mm	30 mm	1,50 mm	0,700 kg
SRHD 60E	102 mm	15 mm	115 mm	60 mm	2,00 mm	1,200 kg

H: height
B: width
L: length
D: diameter
t: material thickness

DETAIL AND APPLICATION IMAGES





OPTIONAL ACCESSORIES

SR, SRL, SRB 45, SRB 90

