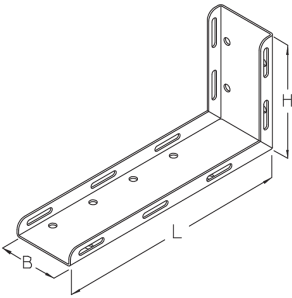


SRFW

Base bracket

The base bracket SRFW with slots is used along with the SRS-B clamp to fasten the protective tube system to the building structure and to safely route cables in and out. It is 200 or 400 mm long. We provide components in various materials and surface finishes to ensure that various corrosion protection requirements for different areas of application are met.



steel, batch/hot-dip galvanized

Products	H	B	L	t	weight
SRFW 30F	100 mm	60 mm	200 mm	2,00 mm	0,520 kg
SRFW 60F	200 mm	100 mm	400 mm	3,00 mm	1,950 kg

Stainless steel, according to ASTM 304 / BS 304 S 3

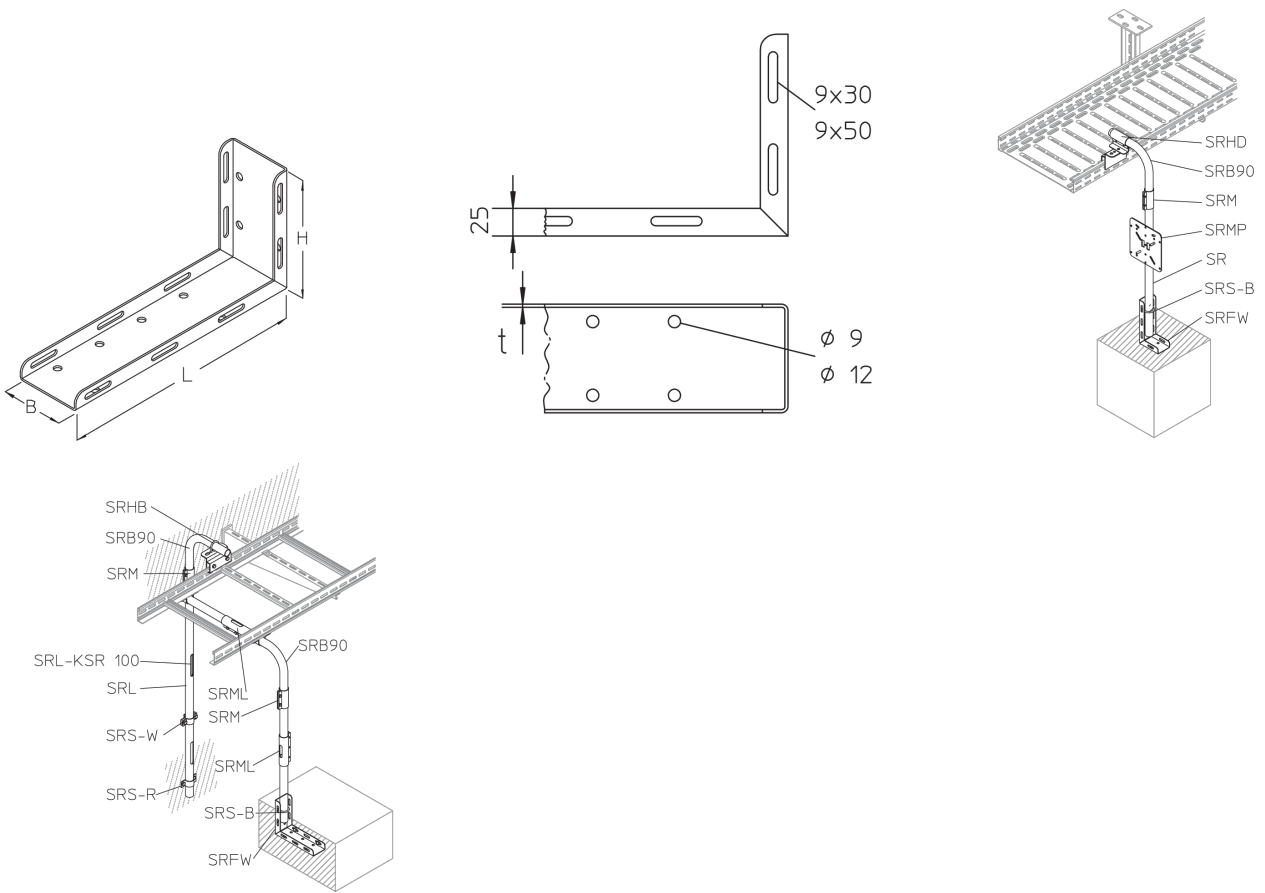
Products	H	B	L	t	weight
SRFW 30E	100 mm	60 mm	200 mm	2,00 mm	0,520 kg
SRFW 60E	200 mm	100 mm	400 mm	3,00 mm	1,950 kg

H: height
B: width
L: length
t: material thickness

DETAIL AND APPLICATION IMAGES



PRODUCT INFORMATION



OPTIONAL ACCESSORIES

SRS-B, SR, SRL

