

SRF

Foot attachment

The base bracket SRF with slots is used to fasten the protective tube system to the building structure for safely routing cables in and out. It is available in diameters of 30 or 60 mm. We provide components in various materials and surface finishes to ensure that various corrosion protection requirements for different areas of application are met.

steel, batch/hot-dip galvanized

Products	H	B	L	D	t	weight
SRF 30F	130 mm	40 mm	130 mm	31 mm	1,50 mm	0,280 kg
SRF 60F	230 mm	80 mm	220 mm	61 mm	2,50 mm	1,750 kg

Stainless steel, according to ASTM 304 / BS 304 S 3

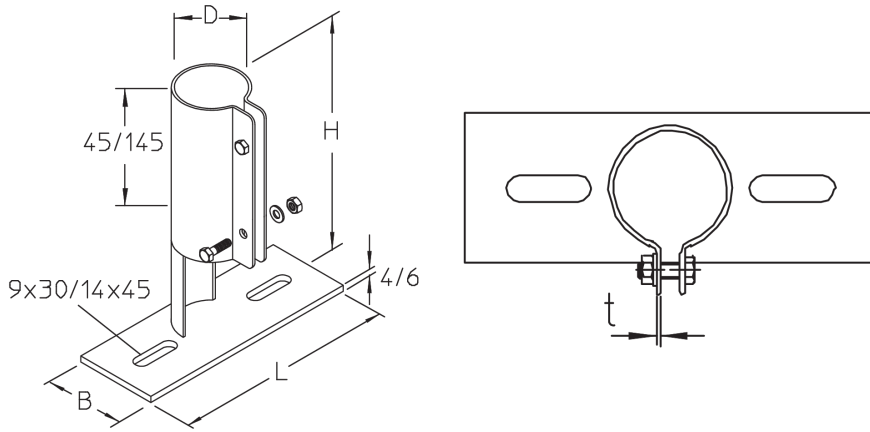
Products	H	B	L	D	t	weight
SRF 30E	130 mm	40 mm	130 mm	31 mm	1,50 mm	0,280 kg
SRF 60E	230 mm	80 mm	220 mm	61 mm	2,50 mm	1,750 kg

H: height
B: width
L: length
D: diameter
t: material thickness

DETAIL AND APPLICATION IMAGES



PRODUCT INFORMATION



OPTIONAL ACCESSORIES

SR, SRL

