

SRB 90

Bend, 90°

The tube bend SRB 90 is used for routing cables round bends of 90° safely and gently. It is available in diameters of 30 or 60 mm. We provide components in various materials and surface finishes to ensure that various corrosion protection requirements for different areas of application are met.

steel, batch/hot-dip galvanized

Products	H	B	D	R	t		weight
SRB 90-30F	185 mm	100 mm	30 mm	140 mm	1,50 mm	90 °	0,400 kg
SRB 90-60F	225 mm	100 mm	60 mm	150 mm	2,00 mm	90 °	1,300 kg

Stainless steel, according to ASTM 304 / BS 304 S 3

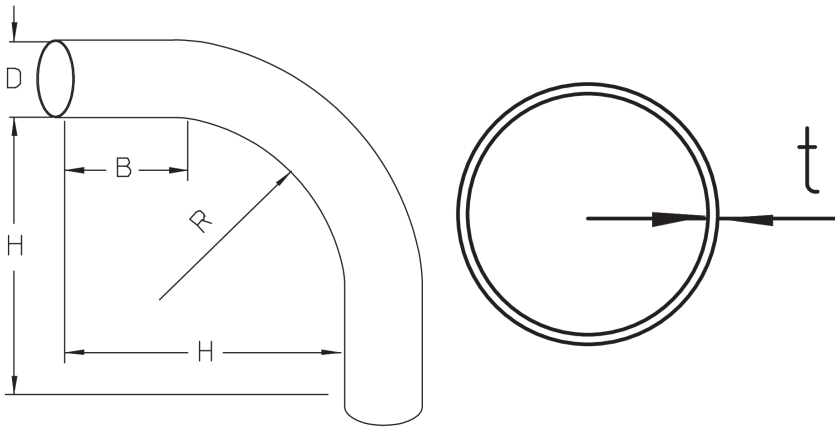
Products	H	B	D	R	t		weight
SRB 90-30E	185 mm	100 mm	30 mm	140 mm	1,50 mm	90 °	0,400 kg
SRB 90-60E	225 mm	100 mm	60 mm	150 mm	2,00 mm	90 °	1,300 kg

H: height
B: width
D: diameter
R: radius
t: material thickness

DETAIL AND APPLICATION IMAGES



PRODUCT INFORMATION



OPTIONAL ACCESSORIES

SR, SRL

