

## SRB 45

Bend, 45°

The tube bend SRB 45 is used for routing cables round bends of 45° safely and gently. It is available in diameters of 30 or 60 mm. We provide components in various materials and surface finishes to ensure that various corrosion protection requirements for different areas of application are met.

steel, batch/hot-dip galvanized

Products	H	B	D	R	t	weight		
SRB 45-30F	270 mm	100 mm	6000 mm	30 mm	140 mm	1,50 mm	45 °	0,300 kg
SRB 45-60F	350 mm	100 mm	6000 mm	60 mm	150 mm	2,00 mm	45 °	1,050 kg

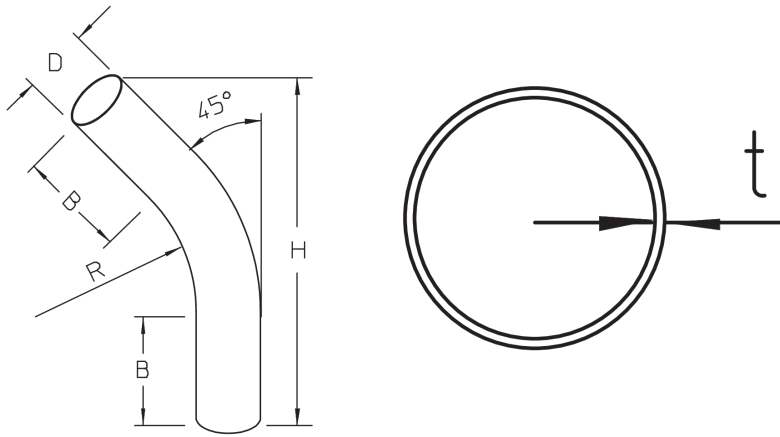
Stainless steel, according to ASTM 304 / BS 304 S 3

Products	H	B	D	R	t	weight		
SRB 45-30E	270 mm	100 mm	30 mm	140 mm	1,50 mm	45 °	0,300 kg	
SRB 45-60E	350 mm	100 mm	60 mm	150 mm	2,00 mm	45 °	1,050 kg	

**H:** height  
**B:** width  
**D:** diameter  
**R:** radius  
**t:** material thickness

## DETAIL AND APPLICATION IMAGES





## OPTIONAL ACCESSORIES

SR, SRL

