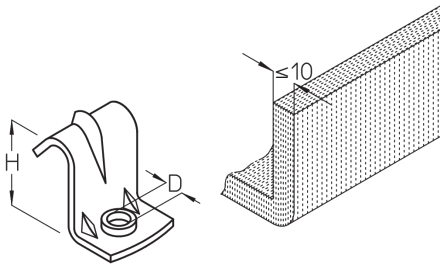


SN G Tension hook

The tension hook SN G is attached to steel beams or is used to attach angle profiles to the AN beam bracket. The tension hook is made of hot-dip galvanised steel.

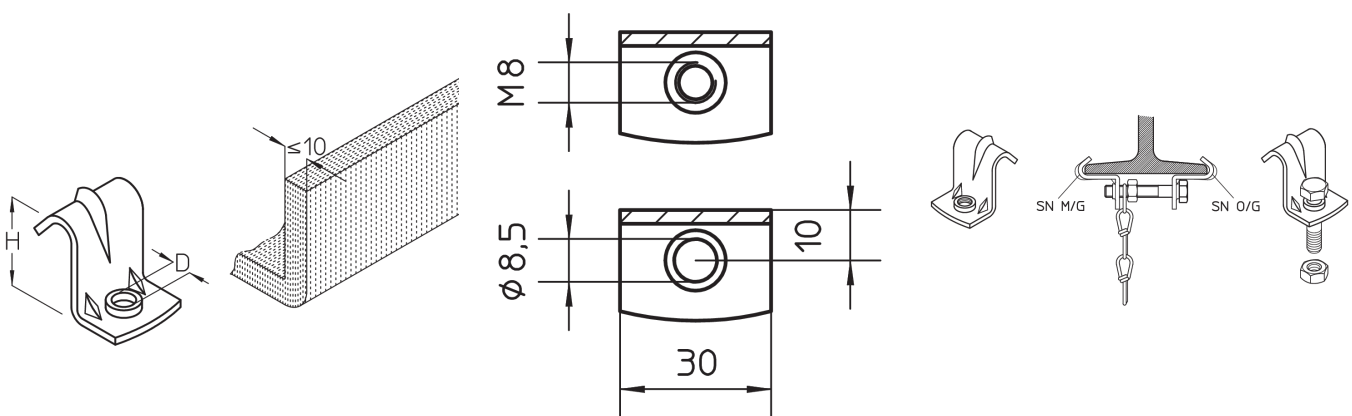


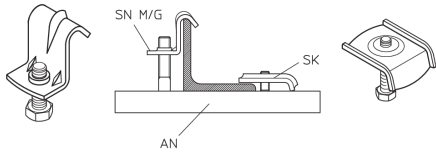
steel, batch/hot-dip galvanized

Products	H	weight	
SN 25 M/G	25 mm	0,041 kg	
SN 25 O/G	25 mm	8,5 mm	0,040 kg
SN 35 M/G	35 mm	0,047 kg	
SN 35 O/G	35 mm	8,5 mm	0,048 kg

H: height

DETAIL AND APPLICATION IMAGES





OPTIONAL ACCESSORIES

AN, SK

