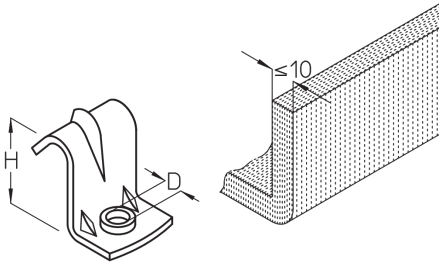


## SN G Tension hook

The tension hook SN G is attached to steel beams or is used to attach angle profiles to the AN beam bracket. The tension hook is made of hot-dip galvanised steel.

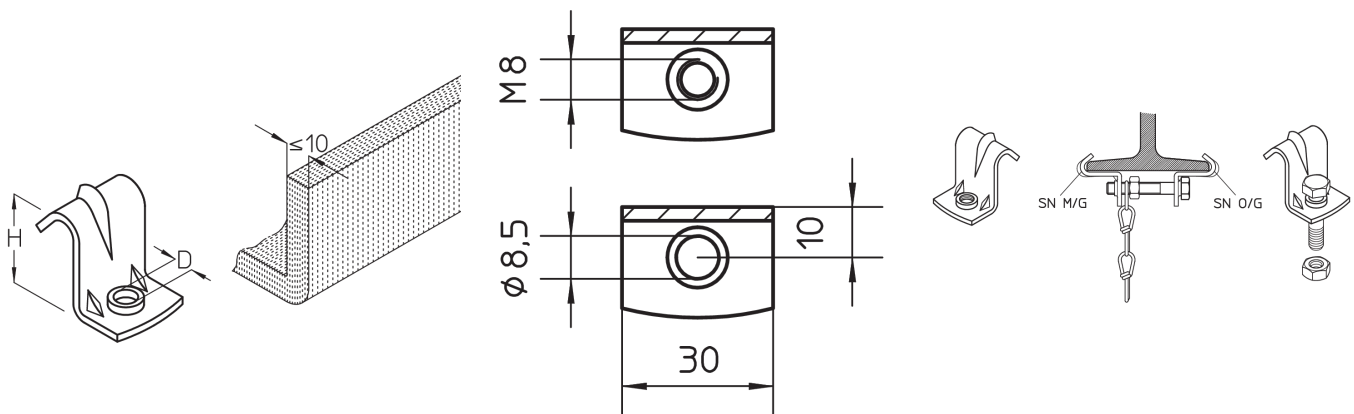


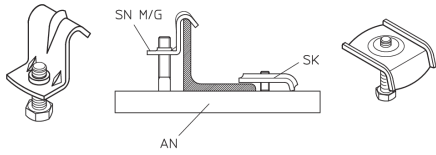
steel, batch/hot-dip galvanized

Products	H	W	
SN 25 M/G	25 mm	0,041 kg	
SN 25 O/G	25 mm	8,5 mm	0,040 kg
SN 35 M/G	35 mm	0,047 kg	
SN 35 O/G	35 mm	8,5 mm	0,048 kg

**H:** height  
**W:** Weight per storage unit

## DETAIL AND APPLICATION IMAGES





## OPTIONAL ACCESSORIES

AN, SK

