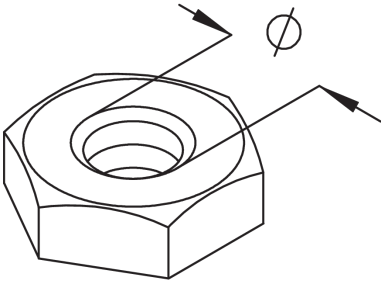


SMH

Lock nut, flat

The flat lock nut SMH is used when suspending light rail systems. It is made of galvanised steel.

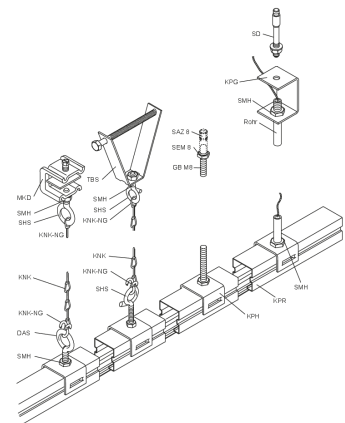
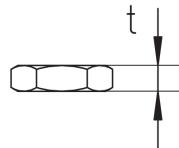
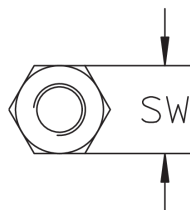
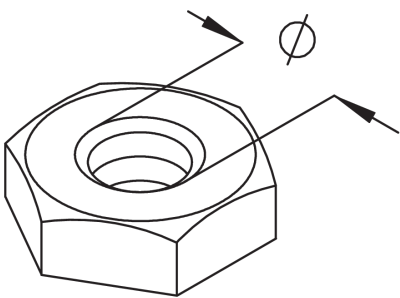


steel, galvanic zinc plated

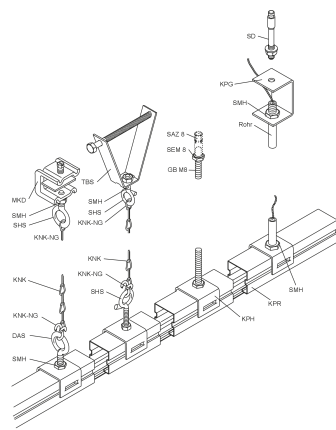
Products	ø	t	SW	weight
SMH 8	8 mm	4,00 mm	13 mm	0,002 kg

Ø: thread diameter
t: material thickness
SW: wrench size

DETAIL AND APPLICATION IMAGES



PRODUCT INFORMATION



OPTIONAL ACCESSORIES

KPH, GB, DAS, SHS, MKD, TBS, KPB

