

SLS

Ship cable ladder, riser, height = 30 mm

The riser SLS allows the direction of cable routing to be changed vertically by 90°. It is suitable for ship cable ladders with rails 30 mm high and is 75 to 500 mm wide with a radius of 150 mm. The riser is mounted on the cable ladders using SLV connectors (please order separately). We provide components in various materials and surface finishes to ensure that a wide range of corrosion requirements are met and that additional protective measures can be taken.

coated

| Products | H | B | R | | | weight |
|----------|-------|--------|--------|------|------------------|----------|
| SLS 075M | 30 mm | 75 mm | 150 mm | 90 ° | STEIGEND-FALLEND | 1,520 kg |
| SLS 100M | 30 mm | 100 mm | 150 mm | 90 ° | STEIGEND-FALLEND | 1,650 kg |
| SLS 150M | 30 mm | 150 mm | 150 mm | 90 ° | STEIGEND-FALLEND | 1,850 kg |
| SLS 200M | 30 mm | 200 mm | 150 mm | 90 ° | STEIGEND-FALLEND | 2,100 kg |
| SLS 250M | 30 mm | 250 mm | 150 mm | 90 ° | STEIGEND-FALLEND | 2,300 kg |
| SLS 300M | 30 mm | 300 mm | 150 mm | 90 ° | STEIGEND-FALLEND | 2,500 kg |
| SLS 400M | 30 mm | 400 mm | 150 mm | 90 ° | STEIGEND-FALLEND | 2,950 kg |
| SLS 500M | 30 mm | 500 mm | 150 mm | 90 ° | STEIGEND-FALLEND | 3,350 kg |

steel, bright rolled

| Products | H | B | R | | | weight |
|----------|-------|--------|--------|------|------------------|----------|
| SLS 075B | 30 mm | 75 mm | 150 mm | 90 ° | STEIGEND-FALLEND | 1,520 kg |
| SLS 100B | 30 mm | 100 mm | 150 mm | 90 ° | STEIGEND-FALLEND | 1,650 kg |
| SLS 150B | 30 mm | 150 mm | 150 mm | 90 ° | STEIGEND-FALLEND | 1,850 kg |
| SLS 200B | 30 mm | 200 mm | 150 mm | 90 ° | STEIGEND-FALLEND | 2,100 kg |
| SLS 250B | 30 mm | 250 mm | 150 mm | 90 ° | STEIGEND-FALLEND | 2,300 kg |
| SLS 300B | 30 mm | 300 mm | 150 mm | 90 ° | STEIGEND-FALLEND | 2,500 kg |
| SLS 400B | 30 mm | 400 mm | 150 mm | 90 ° | STEIGEND-FALLEND | 2,950 kg |
| SLS 500B | 30 mm | 500 mm | 150 mm | 90 ° | STEIGEND-FALLEND | 3,350 kg |



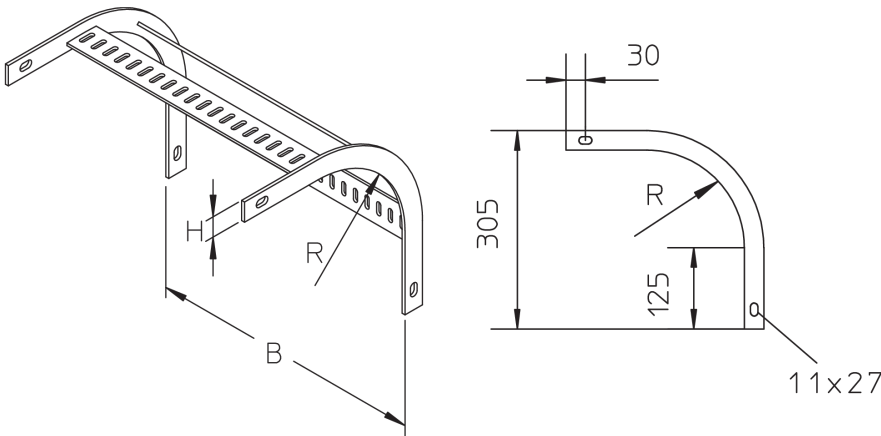
PRODUCT INFORMATION

steel, batch/hot-dip galvanized

| Products | H | B | R | | | weight |
|----------|-------|--------|--------|------|------------------|----------|
| SLS 075F | 30 mm | 75 mm | 150 mm | 90 ° | STEIGEND-FALLEND | 1,520 kg |
| SLS 100F | 30 mm | 100 mm | 150 mm | 90 ° | STEIGEND-FALLEND | 1,650 kg |
| SLS 150F | 30 mm | 150 mm | 150 mm | 90 ° | STEIGEND-FALLEND | 1,850 kg |
| SLS 200F | 30 mm | 200 mm | 150 mm | 90 ° | STEIGEND-FALLEND | 2,100 kg |
| SLS 250F | 30 mm | 250 mm | 150 mm | 90 ° | STEIGEND-FALLEND | 2,300 kg |
| SLS 300F | 30 mm | 300 mm | 150 mm | 90 ° | STEIGEND-FALLEND | 2,500 kg |
| SLS 400F | 30 mm | 400 mm | 150 mm | 90 ° | STEIGEND-FALLEND | 2,950 kg |
| SLS 500F | 30 mm | 500 mm | 150 mm | 90 ° | STEIGEND-FALLEND | 3,350 kg |

H: height
B: width
R: radius

DETAIL AND APPLICATION IMAGES



OPTIONAL ACCESSORIES

SLW, SLV, SLVV

