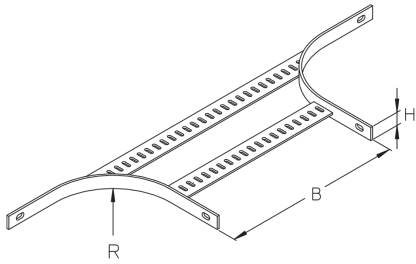


SLAA

Ship cable ladder attachment branch, height = 30 mm



The SLAA ship cable ladder attachment branch allows the direction of cable routing to be changed in the form of a branch. Holes are drilled in the side rail at the connection points where the connected ship cable ladder is to branch off. The attachment branch is then bolted in place and the connecting rack is pushed in. The attachment branch is suitable for ship cable ladders with rails 30 mm high and is 75 to 500 mm wide. We provide components in various materials and surface finishes to ensure that a wide range of corrosion requirements are met and that additional protective measures can be taken.

coated

Products	H	B	R	W
SLAA 075M	30 mm	75 mm	100 mm	1,300 kg
SLAA 100M	30 mm	100 mm	100 mm	1,380 kg
SLAA 150M	30 mm	150 mm	100 mm	1,520 kg
SLAA 200M	30 mm	200 mm	100 mm	1,660 kg
SLAA 250M	30 mm	250 mm	100 mm	1,800 kg
SLAA 300M	30 mm	300 mm	150 mm	2,200 kg
SLAA 400M	30 mm	400 mm	150 mm	2,500 kg
SLAA 500M	30 mm	500 mm	200 mm	3,100 kg

steel, bright rolled

Products	H	B	R	W
SLAA 075B	30 mm	75 mm	100 mm	1,300 kg
SLAA 100B	30 mm	100 mm	100 mm	1,380 kg
SLAA 150B	30 mm	150 mm	100 mm	1,520 kg
SLAA 200B	30 mm	200 mm	100 mm	1,660 kg
SLAA 250B	30 mm	250 mm	100 mm	1,800 kg
SLAA 300B	30 mm	300 mm	150 mm	2,200 kg
SLAA 400B	30 mm	400 mm	150 mm	2,500 kg
SLAA 500B	30 mm	500 mm	200 mm	3,100 kg



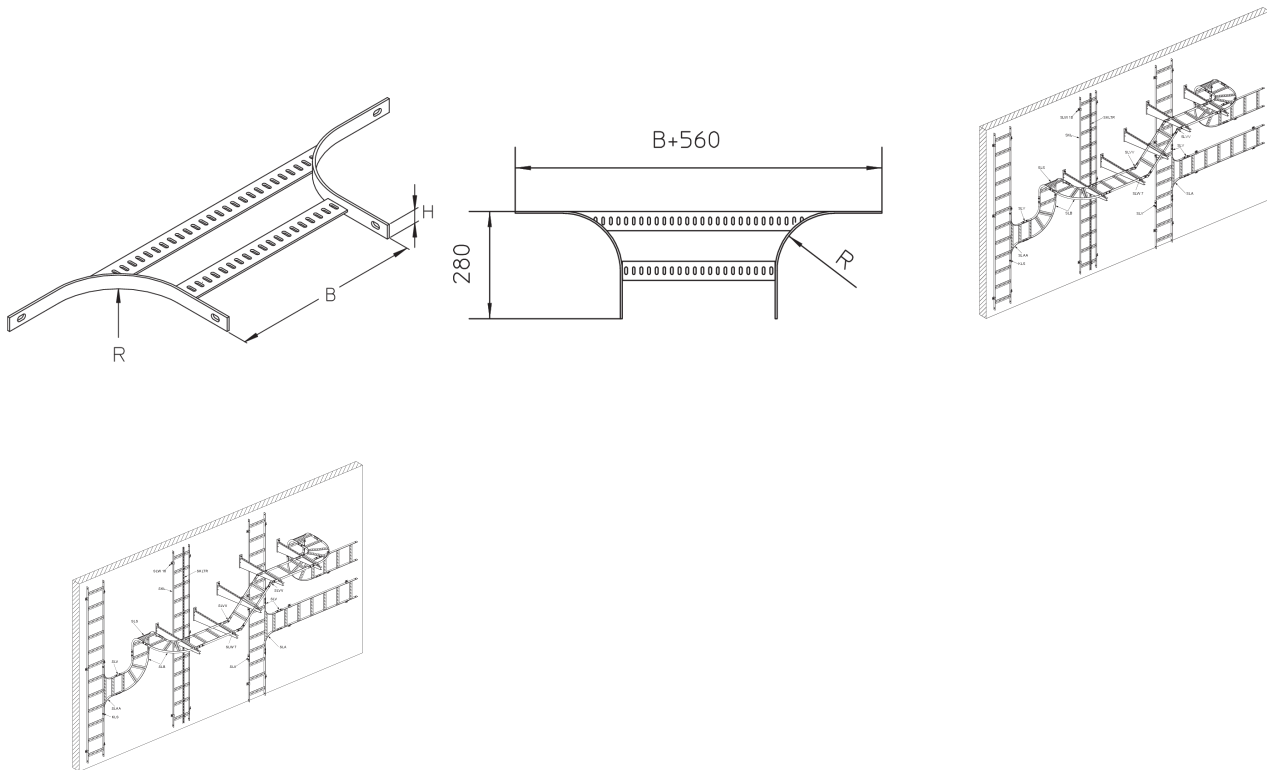
PRODUCT INFORMATION

steel, batch/hot-dip galvanized

Products	H	B	R	W
SLAA 075F	30 mm	75 mm	100 mm	1,300 kg
SLAA 100F	30 mm	100 mm	100 mm	1,380 kg
SLAA 150F	30 mm	150 mm	100 mm	1,520 kg
SLAA 200F	30 mm	200 mm	100 mm	1,660 kg
SLAA 250F	30 mm	250 mm	100 mm	1,800 kg
SLAA 300F	30 mm	300 mm	150 mm	2,200 kg
SLAA 400F	30 mm	400 mm	150 mm	2,500 kg
SLAA 500F	30 mm	500 mm	200 mm	3,100 kg

H: height
B: width
R: radius
W: Weight per storage unit

DETAIL AND APPLICATION IMAGES



OPTIONAL ACCESSORIES

SLW, SLV, SLVV, KLS

