

SKS M

Beam clamp set

The beam clamp set SKS M is used to mount KISS brackets on steel beams. It can be loaded up to a maximum of 20 kN. The clamping range extends from 10 - 30 mm. We provide components in various materials and surface finishes to ensure that various corrosion protection requirements for different areas of application are met.

steel, batch/hot-dip galvanized

Products	k	P_{max}	M	weight
SKS MF	10 - 30 mm	20,00 kN	50 Nm	0,518 kg
incl.:				
2 × SES 10X75F, 4 × US 10X30F, 2 × UVS M10X24, 2 × SEM 10F				

Stainless steel, according to ASTM 316 Ti / AISI 316 L, BS 320S17 / BS 316S11

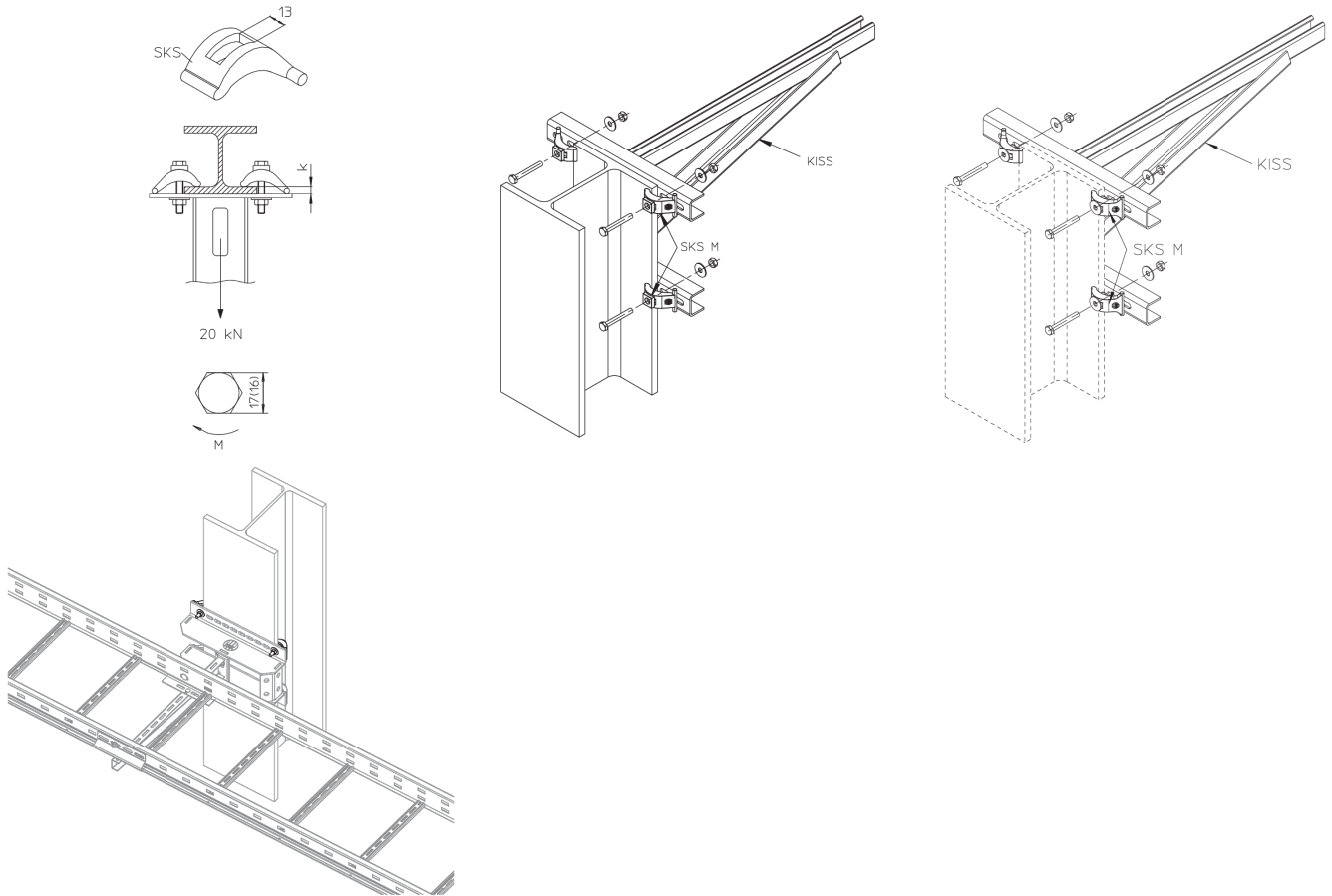
Products	k	P_{max}	M	weight
SKS ME4	10 - 30 mm	20,00 kN	50 Nm	0,522 kg
incl.:				
2 × SES 10X75E4, 4 × US 10X30E4, 2 × UVS M10X24, 2 × SEM 10E4				

k: clamping range
 P_{max} : maximum load
M: torque

DETAIL AND APPLICATION IMAGES



PRODUCT INFORMATION



OPTIONAL ACCESSORIES

KISS, KBSW

