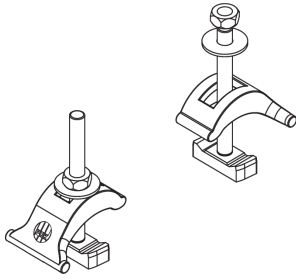


SKS H

Beam clamp set



The beam clamp set SKS H is used for mounting KIS brackets or KDU and KDI bracket supports on steel beams. It can be combined with the KHA 2 mounting channel. The set can be loaded up to 20 kN. The clamping range extends from 10 - 30 mm. We provide components in various materials and surface finishes to ensure that various corrosion protection requirements for different areas of application are met.

steel, batch/hot-dip galvanized

Products	k	P _{max}	M	W
SKS HF	10 - 30 mm	20,00 kN	50 Nm	0,619 kg
incl.:				
2 × HS22 10X80F, 2 × US 10X30F				

Stainless steel, according to ASTM 316 Ti / AISI 316 L, BS 320S17 / BS 316S11

Products	k	P _{max}	M	W
SKS HE4	10 - 30 mm	20,00 kN	50 Nm	0,593 kg
incl.:				
2 × HS22 10X80E4, 2 × US 10X30E4				

k: clamping range

P_{max}: maximum load

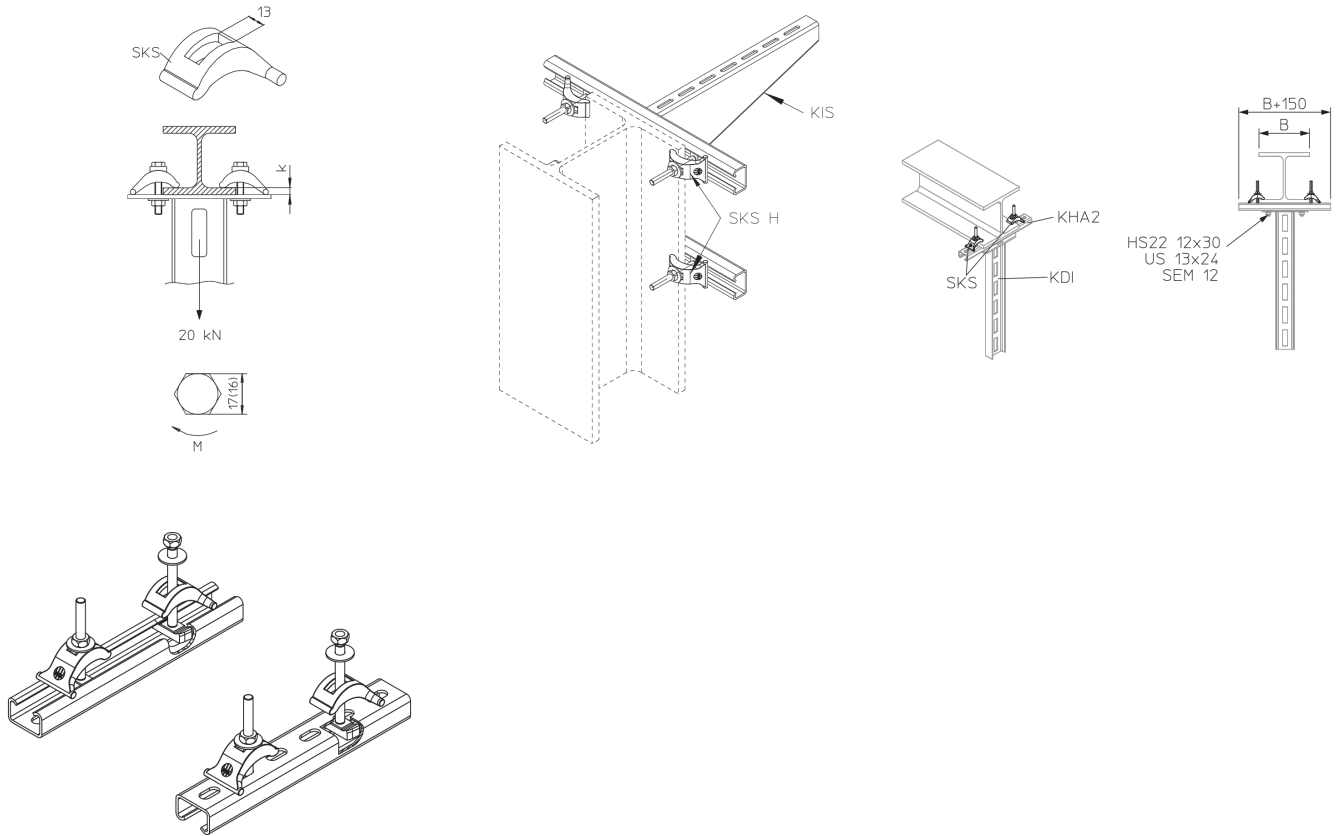
M: torque

W: Weight per storage unit

DETAIL AND APPLICATION IMAGES



PRODUCT INFORMATION



OPTIONAL ACCESSORIES

KHA 2, KIS

