

SKL A

Beam clamp set

The beam clamp set SKL A can be combined with mounting channels A 41 or KHA/KHAL 41. It is used to fix KDU and KDI bracket supports to steel beams. The set can be loaded up to 10 kN. The clamping range extends from 5 - 25 mm. We provide components in various materials and surface finishes to ensure that various corrosion protection requirements for different areas of application are met.

steel, batch/hot-dip galvanized

Products	k	P_{max}	M	weight
SKL AF	5 - 25 mm	10,00 kN	35 Nm	0,513 kg
incl.:				
2 × UVS M10X24, 2 × SES 10X55F, 2 × US 10X21F, 2 × AM22 M10F				

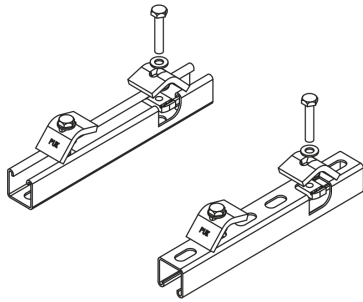
Stainless steel, according to ASTM 316 Ti / AISI 316 L, BS 320S17 / BS 316S11

Products	k	P_{max}	M	weight
SKL AE4	5 - 25 mm	10,00 kN	35 Nm	0,487 kg
incl.:				
2 × SES 10X55E4, 2 × US 10X21E4, 2 × AM22 M10E4, 2 × UVS M10X24				

k: clamping range
 P_{max} : maximum load
M: torque

DETAIL AND APPLICATION IMAGES





OPTIONAL ACCESSORIES

A 41, KHA 41, KHAL 41

