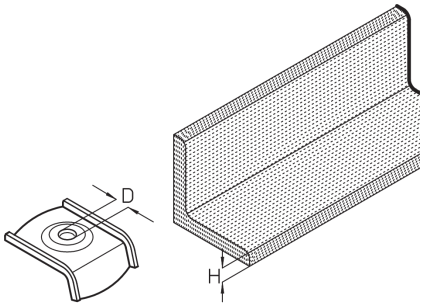


SK Clamping claw

The SK clamping claw is used to mount the AN beam bracket on angle profiles. The clamping claw is made of hot-dip galvanized steel.

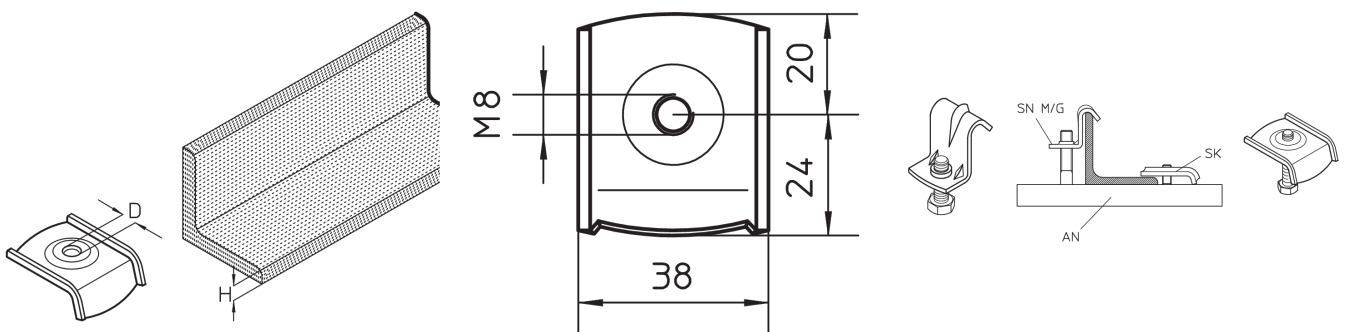


steel, batch/hot-dip galvanized

Products	H	weight
SK 4 M8	4 mm	0,035 kg
SK 6 M8	6 mm	0,037 kg
SK 8 M8	8 mm	0,040 kg
SK 10 M8	10 mm	0,041 kg
SK 12 M8	12 mm	0,044 kg

H: height

DETAIL AND APPLICATION IMAGES





PohlCon GmbH
Nobelstraße 51 | 12057 Berlin
Telefon: +49 30 68283-04 | Fax: +49 30 68283-383 | contact@pohlcon.com

