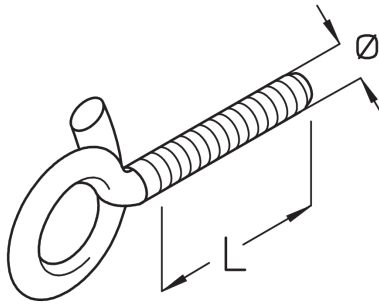


SHS Eyebolt



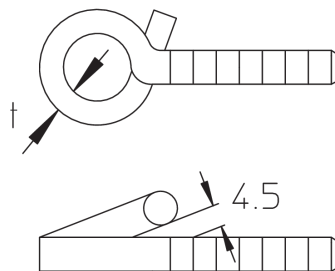
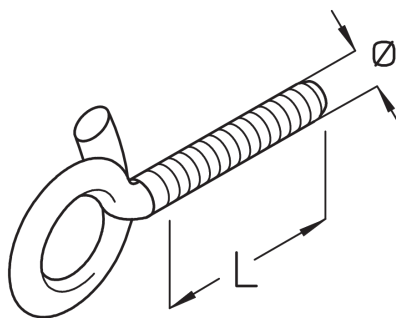
The eyebolt SHS is used along with the chain for suspending light rail systems, mesh cable trays and cable trays. It is available in M6 and M8 threads and is made of galvanised steel. The maximum load is 0.4 kN.

steel, galvanic zinc plated

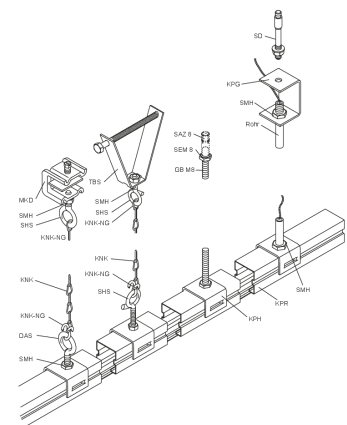
Products	ø	L	t	P _{max}	W
SHS 6X40	6 mm	40 mm	5,20 mm	0,40 kN	0,020 kg
SHS 8X45	8 mm	45 mm	7,00 mm	0,40 kN	0,040 kg

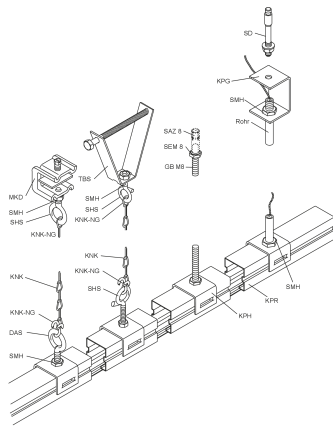
Ø: thread diameter
L: length
t: material thickness
P_{max}: maximum load
W: Weight per storage unit

DETAIL AND APPLICATION IMAGES



P_{max} = 0,4 kN





OPTIONAL ACCESSORIES

KNK

