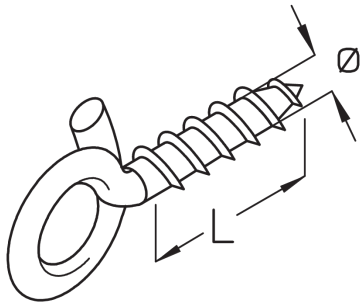


## SHH Eyebolt



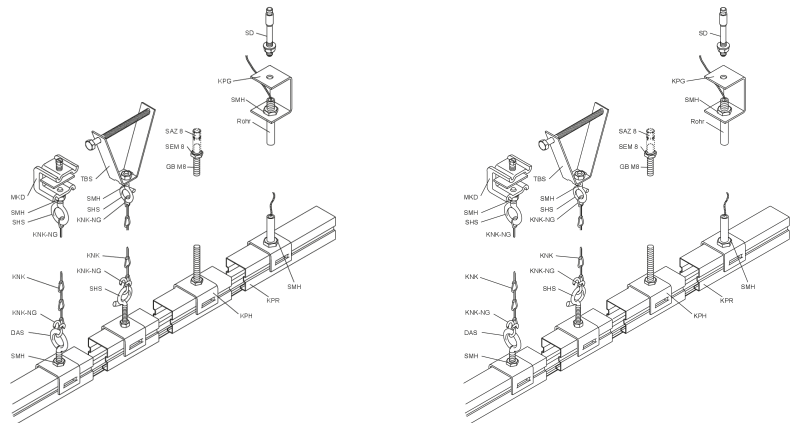
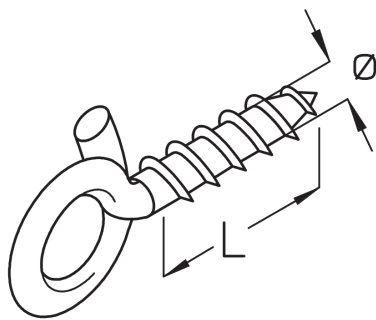
The eyebolt SHH is used to fasten elements to wood. It is available with an M6 thread and is made of galvanised steel. The maximum load is 0.4 kN.

steel, galvanic zinc plated

Products	Ø	L	t	P <sub>max</sub>	W
SHH 6X40	6 mm	40 mm	5,20 mm	0,40 kN	0,020 kg

Ø: thread diameter  
L: length  
t: material thickness  
P<sub>max</sub>: maximum load  
W: Weight per storage unit

## DETAIL AND APPLICATION IMAGES



## OPTIONAL ACCESSORIES

KNK

