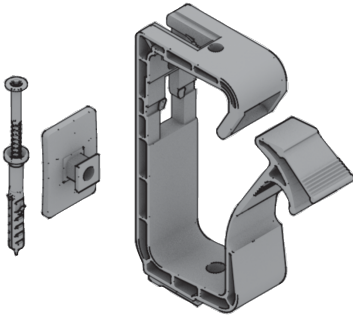


SH ND K

Multiple cable holder, plastic, with nail anchor



The multiple cable holder SH ND K is used for flexible and cost-effective routing of installation cables or smaller cable bundles on walls or ceilings. Nail anchors and quick-mounting clips are included. The multiple cable holder is made of halogen-free and silicone-free polyamide and is available with two temperature resistance levels: It is flame-retardant up to 750°C and up to 960°C according to the glow wire test in compliance with VDE 0471/DIN IEC 695 part 2-1. The multiple cable holder holds 15 to 30 cables. This information relates to NYM cable (3x1.5 mm²).

polyamide

Products	cables	W
SH 15 ND FWK	15	0,039 kg
incl.:		
1 × BFS ND FWK		
SH 15 ND K	15	0,035 kg
incl.:		
1 × BFS ND K		
SH 30 ND FWK	30	0,060 kg
incl.:		
1 × BFS ND FWK		
SH 30 ND K	30	0,056 kg
incl.:		
1 × BFS ND K		

cables: max. number of cables

W: Weight per storage unit

OPTIONAL ACCESSORIES

KOT K

