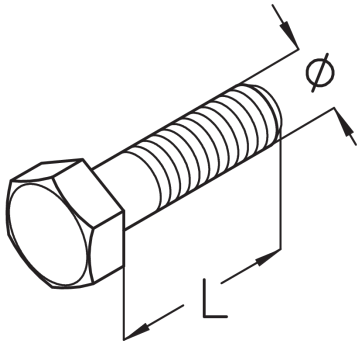


SES

Hexagon head bolt, DIN 933



The hexagon head bolt SES (in line with DIN 933) is used in particular for the assembly of support structures, cable clamps or for mounting mesh cable trays on walls/ceilings. It is available in lengths from 12 to 120 mm and with threads from M6 to M12. We provide components in various materials and surface finishes to ensure that various corrosion protection requirements for different areas of application are met.

steel, galvanic zinc plated

Products	ø	L	SW	W
SES 6X16	6 mm	16 mm	10 mm	0,005 kg
SES 6X20	6 mm	20 mm	10 mm	0,005 kg
SES 6X25	6 mm	25 mm	10 mm	0,006 kg
SES 6X30	6 mm	30 mm	10 mm	0,007 kg
SES 8X16	8 mm	16 mm	13 mm	0,010 kg
SES 8X20	8 mm	20 mm	13 mm	0,011 kg
SES 8X25	8 mm	25 mm	13 mm	0,013 kg
SES 8X30	8 mm	30 mm	13 mm	0,014 kg
SES 8X40	8 mm	40 mm	13 mm	0,018 kg
SES 8X110	8 mm	110 mm	13 mm	0,039 kg
SES 10X20	10 mm	20 mm	17(16) mm	0,021 kg
SES 10X25	10 mm	25 mm	17(16) mm	0,023 kg
SES 10X30	10 mm	30 mm	17(16) mm	0,025 kg
SES 10X40	10 mm	40 mm	17(16) mm	0,031 kg
SES 10X50	10 mm	50 mm	17(16) mm	0,036 kg
SES 10X70	10 mm	70 mm	17(16) mm	0,046 kg
SES 10X75	10 mm	75 mm	17(16) mm	0,047 kg
SES 10X90	10 mm	90 mm	17(16) mm	0,055 kg
SES 10X100	10 mm	100 mm	17(16) mm	0,061 kg
SES 12X20	12 mm	20 mm	19(18) mm	0,031 kg
SES 12X25	12 mm	25 mm	19(18) mm	0,034 kg

Page 1



PRODUCT INFORMATION

Products	∅	L	SW	W
SES 12X30	12 mm	30 mm	19(18) mm	0,038 kg
SES 12X40	12 mm	40 mm	19(18) mm	0,045 kg
SES 12X50	12 mm	50 mm	19(18) mm	0,052 kg

steel, batch/hot-dip galvanized

Products	∅	L	SW	W
SES 8X30F	8 mm	30 mm	13 mm	0,014 kg
SES 10X20F	10 mm	20 mm	17(16) mm	0,021 kg
SES 10X25F	10 mm	25 mm	17(16) mm	0,023 kg
SES 10X30F	10 mm	30 mm	17(16) mm	0,025 kg
SES 10X50F	10 mm	50 mm	17(16) mm	0,036 kg
SES 10X55F	10 mm	55 mm	17(16) mm	0,038 kg
SES 10X70F	10 mm	70 mm	17(16) mm	0,046 kg
SES 10X75F	10 mm	75 mm	17(16) mm	0,047 kg
SES 10X90F	10 mm	90 mm	17(16) mm	0,055 kg
SES 10X100F	10 mm	100 mm	17(16) mm	0,061 kg
SES 12X20F	12 mm	20 mm	19(18) mm	0,031 kg
SES 12X25F	12 mm	25 mm	19(18) mm	0,035 kg
SES 12X30F	12 mm	30 mm	19(18) mm	0,038 kg
SES 12X40F	12 mm	40 mm	19(18) mm	0,045 kg
SES 12X50F	12 mm	50 mm	19(18) mm	0,051 kg
SES 12X70F	12 mm	70 mm	19(18) mm	0,065 kg
SES 12X100F	12 mm	100 mm	19(18) mm	0,075 kg
SES 12X120F	12 mm	120 mm	19(18) mm	0,103 kg

Stainless steel, according to ASTM 304 / BS 304 S 3

Products	∅	L	SW	W
SES 6X12E	6 mm	12 mm	10 mm	0,005 kg
SES 6X16E	6 mm	16 mm	10 mm	0,005 kg
SES 6X20E	6 mm	20 mm	10 mm	0,005 kg

Page 2



PohlCon GmbH
 Nobelstraße 51 | 12057 Berlin
 Telefon: +49 30 68283-04 | Fax: +49 30 68283-383 | contact@pohlcon.com



PRODUCT INFORMATION

Products	∅	L	SW	W
SES 8X16E	8 mm	16 mm	13 mm	0,010 kg
SES 8X20E	8 mm	20 mm	13 mm	0,011 kg
SES 8X25E	8 mm	25 mm	13 mm	0,013 kg
SES 8X30E	8 mm	30 mm	13 mm	0,015 kg
SES 10X20E	10 mm	20 mm	17 mm	0,021 kg
SES 10X25E	10 mm	25 mm	17(16) mm	0,024 kg
SES 10X30E	10 mm	30 mm	17 mm	0,026 kg
SES 10X70E	10 mm	70 mm	17(16) mm	0,046 kg
SES 10X75E	10 mm	75 mm	17(16) mm	0,049 kg
SES 10X90E	10 mm	90 mm	17(16) mm	0,056 kg
SES 10X100E	10 mm	100 mm	17(16) mm	0,061 kg
SES 12X20E	12 mm	20 mm	19(18) mm	0,031 kg
SES 12X25E	12 mm	25 mm	19(18) mm	0,034 kg

Stainless steel, according to ASTM 316 Ti / AISI 316 L, BS 320S17 / BS 316S11

Products	∅	L	SW	W
SES 6X20E4	6 mm	20 mm	10 mm	0,006 kg
SES 8X20E4	8 mm	20 mm	13 mm	0,012 kg
SES 8X30E4	8 mm	30 mm	13 mm	0,015 kg
SES 10X20E4	10 mm	20 mm	17 mm	0,021 kg
SES 10X25E4	10 mm	25 mm	17(16) mm	0,024 kg
SES 10X55E4	10 mm	55 mm	17(16) mm	0,038 kg
SES 10X70E4	10 mm	70 mm	17(16) mm	0,046 kg
SES 10X75E4	10 mm	75 mm	17(16) mm	0,049 kg
SES 10X90E4	10 mm	90 mm	17(16) mm	0,056 kg
SES 10X100E4	10 mm	100 mm	17(16) mm	0,061 kg

∅: thread diameter
L: length
SW: wrench size
W: Weight per storage unit



DETAIL AND APPLICATION IMAGES

