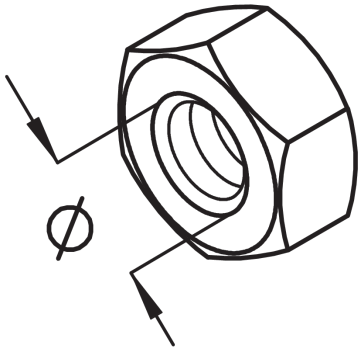


SEMB

Hexagon nut, self-locking, DIN 934



Self-locking hexagon nuts SEMB (in line with DIN 934) with lock coating (DIN 267-28) are used in combination with suitable bolts in numerous applications including the assembly of floor and side connectors for wide-span trays. They are made of hot-dip galvanised steel and are available with an M10 thread.

steel, batch/hot-dip galvanized

Products	Ø	t	SW	W
SEMB 10F	10 mm	9,50 mm	15 mm	0,011 kg

Ø: thread diameter
t: material thickness
SW: wrench size
W: Weight per storage unit

DETAIL AND APPLICATION IMAGES

