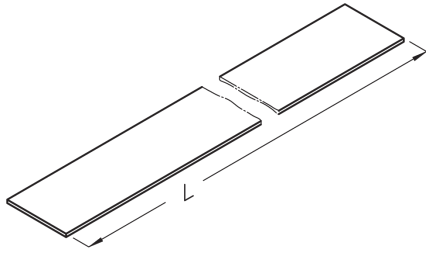


SD E Strap



The tension clamp SD E is used in combination with the tension clamp SC and the base plate GP to create an M8 threaded attachment point on a structure (e.g. pole or pipe). The strap SD E is available in lengths of 1000 and 50,000 mm. The permissible tensile force is < 2.0 kN. The strap is made of stainless steel.

Stainless steel, according to ASTM 304 / BS 304 S 3

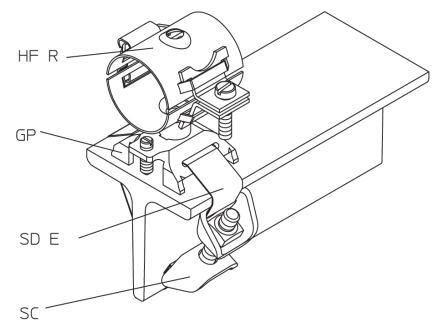
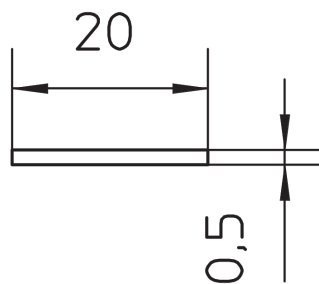
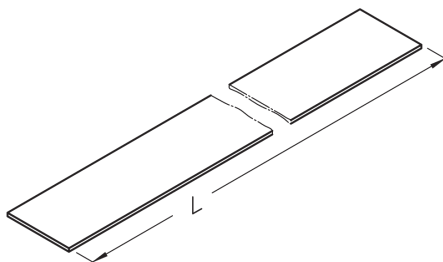
Products	B	L	P _{Zug}	weight
SD E	20 mm	1000 mm	< 2 kN	0,079 kg
SD E 50M	20 mm	50000 mm	< 2 kN	4,240 kg

B: width

L: length

P_{Zug}: max. permissible tensile force

DETAIL AND APPLICATION IMAGES



OPTIONAL ACCESSORIES

GP, SC

