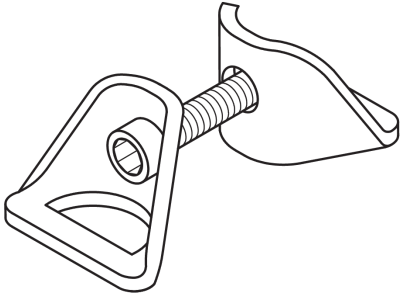


SC

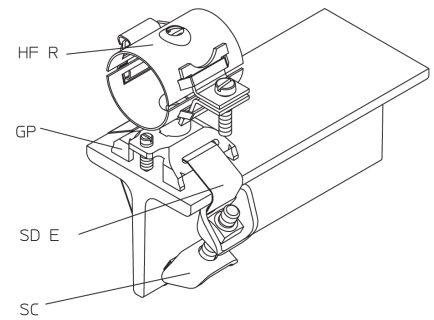
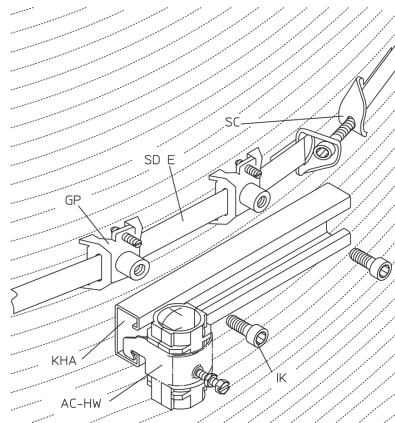
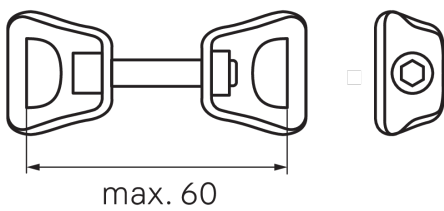
Tension clamp



The tension clamp SC is used in conjunction with the GP base plate and the SD tensioning strap to create an M8 threaded attachment point on a structure. The tension clamp is made of hot-dip galvanised steel.

| Products | weight |
|--------------|----------|
| SC | 0,065 kg |
| incl.: | |
| 1 x IK 8X40E | |

DETAIL AND APPLICATION IMAGES



OPTIONAL ACCESSORIES

GP, SD E

