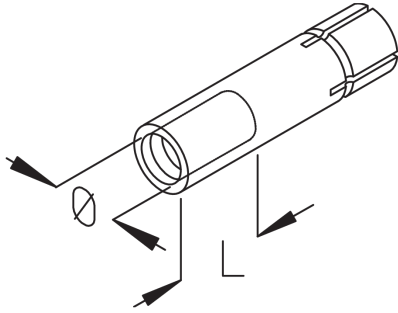


## SAZ

### Female anchor



The approved female anchor SAZ is used to fasten supporting structures such as bracket holders or wall brackets to walls and/or ceilings. It is permitted to be used as a single attachment in cracked and non-cracked standard concrete with strength  $\geq C20/25$ . The manufacturer's specifications must be observed. The anchor bolt is available in diameters 6 to 12 mm. The permissible tensile force is up to 3.6 kN. We provide components in various materials and surface finishes to ensure that various corrosion protection requirements for different areas of application are met.

### steel, galvanic zinc plated

Products	$\varnothing$	D	$L_{min}$	$P_{Zug}$	W
SAZ 10	10 mm	12 mm	43 mm	3,0 kN	0,019 kg
SAZ 12	12 mm	14 mm	43 mm	3,6 kN	0,026 kg
SAZ 6	6 mm	8 mm	43 mm	2,4 kN	0,032 kg
SAZ 8	8 mm	10 mm	43 mm	1,6 kN	0,014 kg

### Stainless steel, according to ASTM 316 Ti / AISI 316 L, BS 320S17 / BS 316S11

Products	$\varnothing$	D	$L_{min}$	$P_{Zug}$	W
SAZ 10E4	10 mm	12 mm	43 mm	3,0 kN	0,022 kg
SAZ 12E4	12 mm	14 mm	43 mm	3,6 kN	0,044 kg
SAZ 8E4	8 mm	10 mm	43 mm	1,6 kN	0,015 kg

$\varnothing$ : thread diameter

D: diameter

$L_{min}$ : min. borehole depth

$P_{Zug}$ : max. permissible tensile force

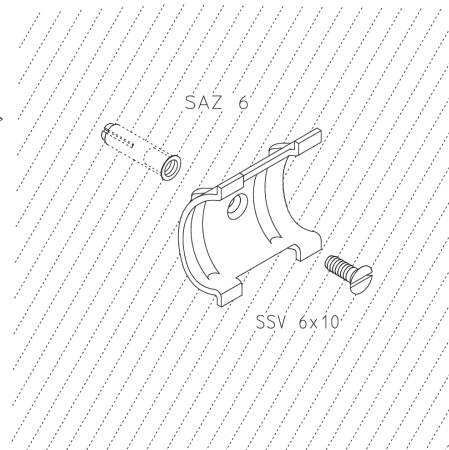
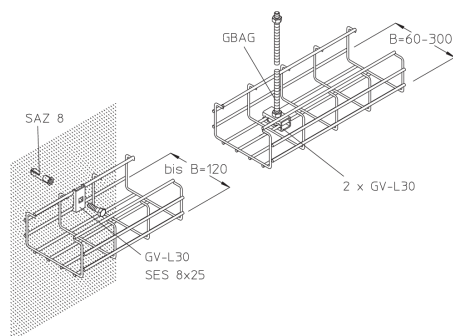
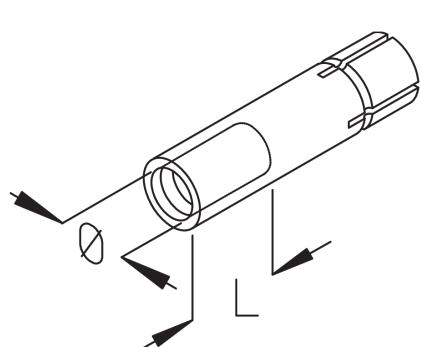
W: Weight per storage unit



# PRODUCT INFORMATION

---

## DETAIL AND APPLICATION IMAGES



## OPTIONAL ACCESSORIES

SAZ-B, SAZ-D

