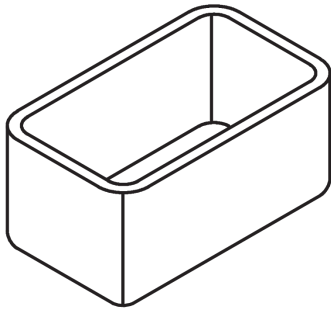


SA 1

Protection cap, cadmium yellow RAL 1021



SA 1 protective caps are suitable for channels KHA 8, A 8, KHA 7, A 7, KHA 21 and are used to cover the profile ends. They are cadmium yellow to indicate possible joints and made of polyethylene. Maintain a distance of at least 50 mm to the end of the profile to ensure problem-free installation of the protective cap. Free of halogens, silicones and other additives that impair paint wetting.

polyethylen

Products	W
SA 1	0,010 kg

W: Weight per storage unit

OPTIONAL ACCESSORIES

KHA 8, A 8, KHA 7, A 7, KHA 21

