

S

Cable clamp for fastening to angle profiles

The S cable clamp with full-surface pressure trough made of galvanised steel can guide cables with a maximum diameter of 175 mm. It is suitable for attachment to angle profiles and U profiles with a leg length of 40 mm. On request, a GW counter trough can be fitted for improved cable support. We provide components in various materials and surface finishes to ensure that various requirements for different areas of application are met.

In conjunction with a grub screw that penetrates the coating, the cable clamp can be included in the equipotential bonding. The article is also available with lock nuts. This prevents the clamp from unintentionally coming loose. Grub screw and lock nuts must be specified separately when ordering.

Articles with a diameter of 12 to 56 mm are also available in stainless steel with material no. 1.4571/1.4404 (V4A).

steel, zinc plated

Products	D	H _{max}	cables	M	W
12 S	8 - 12 mm	41 mm	1	2 Nm	0,036 kg
16 S	12 - 16 mm	46 mm	1	2 Nm	0,036 kg
20 S	16 - 20 mm	50 mm	1	2 Nm	0,043 kg
24 S	20 - 24 mm	54 mm	1	2 Nm	0,046 kg
28 S	24 - 28 mm	58 mm	1	2 Nm	0,050 kg
32 S	28 - 32 mm	63 mm	1	2 Nm	0,075 kg
36 S	32 - 36 mm	67 mm	1	2 Nm	0,084 kg
40 S	36 - 40 mm	71 mm	1	2 Nm	0,085 kg
44 S	40 - 44 mm	81 mm	1	4 Nm	0,107 kg
48 S	44 - 48 mm	85 mm	1	4 Nm	0,108 kg
52 S	48 - 52 mm	90 mm	1	4 Nm	0,115 kg
56 S	52 - 56 mm	94 mm	1	4 Nm	0,125 kg
60 S	56 - 60 mm	98 mm	1	4 Nm	0,161 kg
64 S	60 - 64 mm	102 mm	1	4 Nm	0,167 kg
70 S	64 - 70 mm	109 mm	1	4 Nm	0,186 kg
76 S	70 - 76 mm	113 mm	1	4 Nm	0,242 kg
82 S	76 - 82 mm	119 mm	1	4 Nm	0,264 kg

Page 1



PRODUCT INFORMATION

Products	D	H _{max}	cables	M	W
88 S	82 - 88 mm	125 mm	1	4 Nm	0,270 kg
94 S	88 - 94 mm	131 mm	1	4 Nm	0,332 kg
100 S	94 - 100 mm	137 mm	1	4 Nm	0,310 kg
110 S	101 - 110 mm	157 mm	1	4 Nm	0,329 kg
120 S	111 - 120 mm	167 mm	1	4 Nm	0,351 kg
150 S	145 - 150 mm	203 mm	1	6 Nm	1,077 kg
175 S	170 - 175 mm	228 mm	1	6 Nm	1,280 kg
12/2 S	8 - 12 mm	58 mm	2	2 Nm	0,038 kg
16/2 S	12 - 16 mm	67 mm	2	2 Nm	0,045 kg
20/2 S	16 - 20 mm	75 mm	2	2 Nm	0,052 kg
24/2 S	20 - 24 mm	84 mm	2	2 Nm	0,058 kg
28/2 S	24 - 28 mm	92 mm	2	2 Nm	0,063 kg
32/2 S	28 - 32 mm	101 mm	2	2 Nm	0,104 kg
36/2 S	32 - 36 mm	109 mm	2	2 Nm	0,108 kg
40/2 S	36 - 40 mm	117 mm	2	2 Nm	0,112 kg
44/2 S	40 - 44 mm	127 mm	2	4 Nm	0,155 kg
48/2 S	44 - 48 mm	135 mm	2	4 Nm	0,150 kg
52/2 S	48 - 52 mm	144 mm	2	4 Nm	0,161 kg
56/2 S	52 - 56 mm	152 mm	2	4 Nm	0,174 kg
12/3 S	8 - 12 mm	71 mm	3	2 Nm	0,050 kg
16/3 S	12 - 16 mm	85 mm	3	2 Nm	0,058 kg
20/3 S	16 - 20 mm	97 mm	3	2 Nm	0,065 kg
24/3 S	20 - 24 mm	110 mm	3	2 Nm	0,087 kg
28/3 S	24 - 28 mm	122 mm	3	2 Nm	0,083 kg

aluminium

Products	D	H _{max}	cables	M	W
12 S-AL	8 - 12 mm	41 mm	1	1,5 Nm	0,017 kg
16 S-AL	12 - 16 mm	46 mm	1	1,5 Nm	0,017 kg
20 S-AL	16 - 20 mm	50 mm	1	1,5 Nm	0,020 kg
24 S-AL	20 - 24 mm	54 mm	1	1,5 Nm	0,022 kg
28 S-AL	24 - 28 mm	58 mm	1	1,5 Nm	0,024 kg

Page 2



PohlCon GmbH
 Nobelstraße 51 | 12057 Berlin
 Telefon: +49 30 68283-04 | Fax: +49 30 68283-383 | contact@pohlcon.com



PRODUCT INFORMATION

Products	D	H _{max}	cables	M	W
32 S-AL	28 - 32 mm	63 mm	1	1,5 Nm	0,039 kg
36 S-AL	32 - 36 mm	67 mm	1	1,5 Nm	0,042 kg
40 S-AL	36 - 40 mm	71 mm	1	1,5 Nm	0,046 kg
44 S-AL	40 - 44 mm	81 mm	1	3 Nm	0,051 kg
48 S-AL	44 - 48 mm	85 mm	1	3 Nm	0,054 kg
52 S-AL	48 - 52 mm	90 mm	1	3 Nm	0,059 kg
56 S-AL	52 - 56 mm	94 mm	1	3 Nm	0,062 kg

Stainless steel, according to ASTM 304 / BS 304 S 3

Products	D	H _{max}	cables	M	W
12 S-E	8 - 12 mm	41 mm	1	2 Nm	0,033 kg
16 S-E	12 - 16 mm	46 mm	1	2 Nm	0,036 kg
20 S-E	16 - 20 mm	50 mm	1	2 Nm	0,039 kg
24 S-E	20 - 24 mm	54 mm	1	2 Nm	0,044 kg
28 S-E	24 - 28 mm	58 mm	1	2 Nm	0,048 kg
32 S-E	28 - 32 mm	63 mm	1	2 Nm	0,064 kg
36 S-E	32 - 36 mm	67 mm	1	2 Nm	0,069 kg
40 S-E	36 - 40 mm	71 mm	1	2 Nm	0,074 kg
44 S-E	40 - 44 mm	81 mm	1	4 Nm	0,096 kg
48 S-E	44 - 48 mm	85 mm	1	4 Nm	0,100 kg
52 S-E	48 - 52 mm	90 mm	1	4 Nm	0,107 kg
56 S-E	52 - 56 mm	94 mm	1	4 Nm	0,116 kg

D: clamping range

H_{max}: maximum height

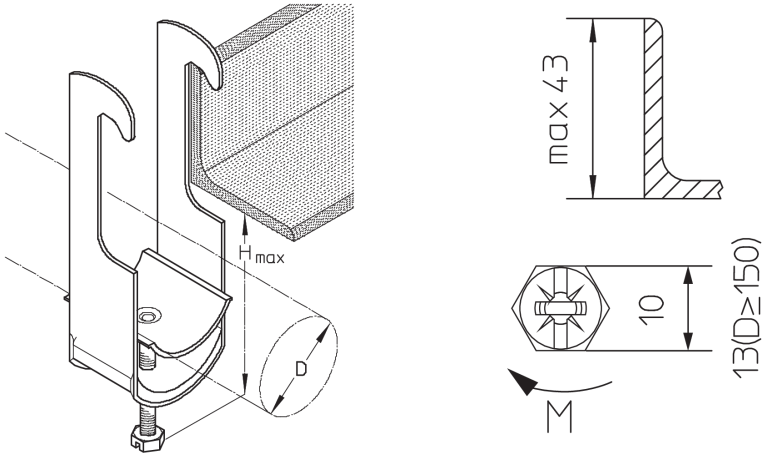
cables: max. number of cables

M: torque

W: Weight per storage unit

DETAIL AND APPLICATION IMAGES





OPTIONAL ACCESSORIES

GW 12-70, GW 76-120, GW 150-175, DW, LW

