

S-IW

Cable clamp with additional insulating tray for fastening to angle profiles

The S-IW cable clamp with a full-surface pressure trough made of galvanised steel and an additional insulating trough made of polystyrene can route cables with a maximum diameter of 70 mm. It is suitable for attachment to angle profiles and U profiles with a leg length of 40 mm. On request, a GW counter trough can be fitted for improved cable support.

In conjunction with a grub screw that penetrates the coating, the cable clamp can be included in the equipotential bonding. The article is also available with lock nuts. This prevents the clamp from unintentionally coming loose. Grub screw and lock nuts must be specified separately when ordering.

The S-IW cable clamp is made of galvanised steel.

steel, zinc plated

Products	D	H _{max}	cables	M	W
12 S-IW	8 - 12 mm	42,5 mm	1	2 Nm	0,035 kg
16 S-IW	12 - 16 mm	47,5 mm	1	2 Nm	0,038 kg
20 S-IW	16 - 20 mm	51,5 mm	1	2 Nm	0,041 kg
24 S-IW	20 - 24 mm	55,7 mm	1	2 Nm	0,048 kg
28 S-IW	24 - 28 mm	59,7 mm	1	2 Nm	0,051 kg
32 S-IW	28 - 32 mm	65 mm	1	2 Nm	0,077 kg
36 S-IW	32 - 36 mm	69 mm	1	2 Nm	0,082 kg
40 S-IW	36 - 40 mm	73 mm	1	2 Nm	0,091 kg
44 S-IW	40 - 44 mm	83 mm	1	4 Nm	0,110 kg
48 S-IW	44 - 48 mm	87 mm	1	4 Nm	0,112 kg
52 S-IW	48 - 52 mm	92,5 mm	1	4 Nm	0,123 kg
56 S-IW	52 - 56 mm	96,5 mm	1	4 Nm	0,134 kg
60 S-IW	56 - 60 mm	100,5 mm	1	4 Nm	0,163 kg
64 S-IW	60 - 64 mm	104,5 mm	1	4 Nm	0,184 kg
70 S-IW	64 - 70 mm	111,5 mm	1	4 Nm	0,192 kg

D: clamping range

H_{max}: maximum height

cables: max. number of cables

Page 1

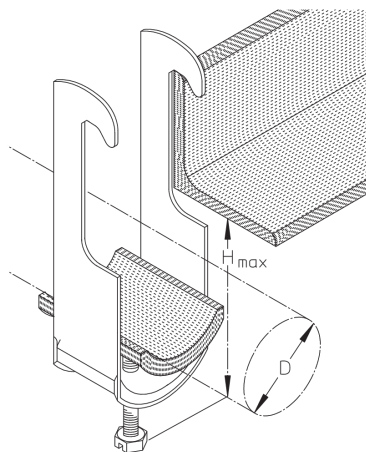


PRODUCT INFORMATION

M: torque

W: Weight per storage unit

DETAIL AND APPLICATION IMAGES



OPTIONAL ACCESSORIES

GW 12-70

