

RVB 85

Cable tray vertical bend, height = 85 mm

The cable tray vertical bend RVB 85 allows the direction of cable routing to be changed flexibly and vertically. It is inserted into the cable tray along with a REB cable tray end plate and bolted to the bottom and sides. The vertical bend RVB 85 is suitable for cable trays with sides 85 mm high. We provide components in various materials and surface finishes to ensure that the corrosion requirements are met for all sorts of applications.

steel, continuously hot galvanized/Sendzimir process

Products	H	B	R		W
RVB 85-10S	85 mm	100 mm	330 mm	STEIGEND-FALLEND	3,086 kg
incl.:					
4 × KLR					
RVB 85-20S	85 mm	200 mm	330 mm	STEIGEND-FALLEND	3,356 kg
incl.:					
4 × KLR					
RVB 85-30S	85 mm	300 mm	330 mm	STEIGEND-FALLEND	3,856 kg
incl.:					
4 × KLR					
RVB 85-40S	85 mm	400 mm	330 mm	STEIGEND-FALLEND	4,136 kg
incl.:					
4 × KLR					
RVB 85-50S	85 mm	500 mm	330 mm	STEIGEND-FALLEND	4,486 kg
incl.:					
4 × KLR					
RVB 85-60S	85 mm	600 mm	330 mm	STEIGEND-FALLEND	4,836 kg
incl.:					
4 × KLR					



PRODUCT INFORMATION

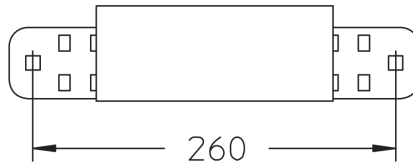
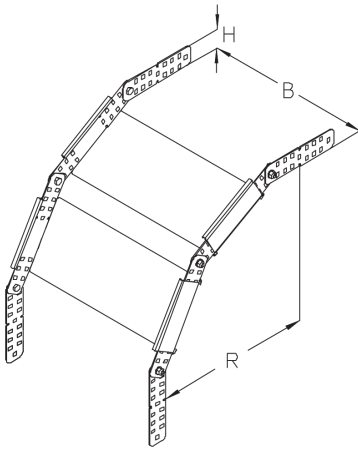
steel, batch/hot-dip galvanized

Products	H	B	R		W
RVB 85-10F	85 mm	100 mm	330 mm	STEIGEND-FALLEND	3,304 kg
incl.: 4 × KLR E					
RVB 85-20F	85 mm	200 mm	330 mm	STEIGEND-FALLEND	3,694 kg
incl.: 4 × KLR E					
RVB 85-30F	85 mm	300 mm	330 mm	STEIGEND-FALLEND	4,044 kg
incl.: 4 × KLR E					
RVB 85-40F	85 mm	400 mm	330 mm	STEIGEND-FALLEND	4,424 kg
incl.: 4 × KLR E					
RVB 85-50F	85 mm	500 mm	330 mm	STEIGEND-FALLEND	4,794 kg
incl.: 4 × KLR E					
RVB 85-60F	85 mm	600 mm	330 mm	STEIGEND-FALLEND	5,174 kg
incl.: 4 × KLR E					

H: height
B: width
R: radius
W: Weight per storage unit

DETAIL AND APPLICATION IMAGES





OPTIONAL ACCESSORIES

REB

