

RUS 40

Washer

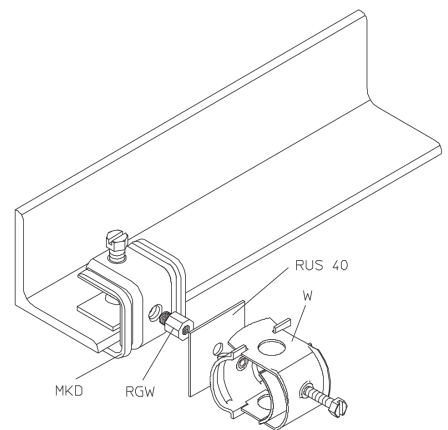
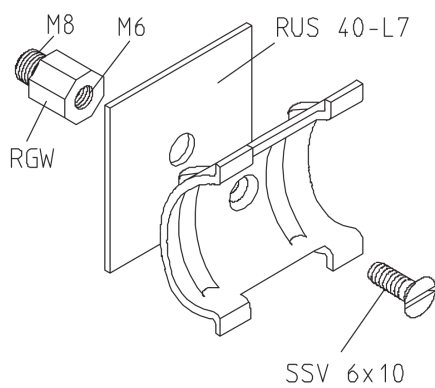
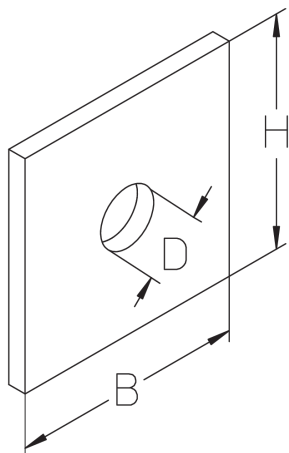
Washer RUS 40 is a versatile accessory, but is mainly used when mounting cable clamps. It is made of hot-dip galvanized steel.

steel, batch/hot-dip galvanized

Products	H	B	L	D	weight
RUS 40-L7F	1 mm	40 mm	40 mm	7 mm	0,012 kg
RUS 40-L9F	1 mm	40 mm	40 mm	9 mm	0,012 kg

H: height
B: width
L: length
D: diameter

DETAIL AND APPLICATION IMAGES





PohlCon GmbH
Nobelstraße 51 | 12057 Berlin
Telefon: +49 30 68283-04 | Fax: +49 30 68283-383 | contact@pohlcon.com

