

## RU

### Cable clamp for fastening to round and flat profiles

The RU cable clamp with full-surface pressure trough made of galvanised steel can guide cables with a maximum diameter of 70 mm. It is suitable for fastening to round and flat profiles made from material 12 mm to 22 mm thick. On request, a GW counter trough can be fitted for improved cable support. The RU cable clamp is made of galvanised steel, but is also available in stainless steel with material no. 14301 (V2A) and material no. 1.4571/1.4404 (V4A).

steel, zinc plated

Products	D	H <sub>max</sub>	cables	M	W
20/3 RU	16 - 20 mm	3	0,076 kg		
56 RU	52 - 56 mm	1	0,131 kg		
32/3 RU	28 - 32 mm	3	0,153 kg		
44/2 RU	40 - 44 mm	2	0,155 kg		
56/2 RU	52 - 56 mm	2	0,183 kg		
44/3 RU	40 - 44 mm	2	0,212 kg		
14 RU	10 - 14 mm	48 mm	1	2 Nm	0,039 kg
20 RU	16 - 20 mm	54 mm	1	2 Nm	0,047 kg
26 RU	22 - 26 mm	60 mm	1	2 Nm	0,053 kg
32 RU	28 - 32 mm	67 mm	1	2 Nm	0,083 kg
38 RU	34 - 38 mm	74 mm	1	2 Nm	0,092 kg
44 RU	40 - 44 mm	82 mm	1	4 Nm	0,107 kg
52 RU	48 - 52 mm	91 mm	1	4 Nm	0,120 kg
60 RU	56 - 60 mm	99 mm	1	4 Nm	0,150 kg
70 RU	64 - 70 mm	109 mm	1	4 Nm	0,173 kg
14/2 RU	10 - 14 mm	63 mm	2	2 Nm	0,051 kg
20/2 RU	16 - 20 mm	75 mm	2	2 Nm	0,062 kg
26/2 RU	22 - 26 mm	88 mm	2	2 Nm	0,073 kg
32/2 RU	28 - 32 mm	101 mm	2	2 Nm	0,120 kg



# PRODUCT INFORMATION

Stainless steel, according to ASTM 304 / BS 304 S 3

Products	D	H <sub>max</sub>	cables	M	W
44 RU-E IS	40 - 44 mm	1	0,107 kg		
56 RU-E KM	52 - 56 mm	1	0,132 kg		
14 RU-E	10 - 14 mm	47,3 mm	1	2 Nm	0,037 kg
20 RU-E	16 - 20 mm	53,3 mm	1	2 Nm	0,045 kg
26 RU-E	22 - 26 mm	59,3 mm	1	2 Nm	0,051 kg
28 RU-E	24 - 28 mm	61,3 mm	1	2 Nm	0,054 kg
32 RU-E	28 - 32 mm	66,5 mm	1	2 Nm	0,079 kg
38 RU-E	34 - 38 mm	74,5 mm	1	2 Nm	0,089 kg
52 RU-E	48 - 52 mm	90,7 mm	1	4 Nm	0,116 kg
60 RU-E	56 - 60 mm	98,7 mm	1	4 Nm	0,143 kg
70 RU-E	64 - 70 mm	108,7 mm	1	4 Nm	0,165 kg
14/2 RU-E	10 - 14 mm	62,3 mm	2	2 Nm	0,048 kg
20/2 RU-E	16 - 20 mm	74,8 mm	2	2 Nm	0,060 kg
26/2 RU-E	22 - 26 mm	87,3 mm	2	2 Nm	0,071 kg
44/2 RU-E	40 - 44 mm	128,2 mm	2	4 Nm	0,147 kg
56/2 RU-E	52 - 56 mm	153,2 mm	2	4 Nm	0,187 kg
20/3 RU-E	16 - 20 mm	96,3 mm	3	2 Nm	0,077 kg
32/3 RU-E	28 - 32 mm	136,5 mm	3	2 Nm	0,148 kg
44/3 RU-E	40 - 44 mm	174,2 mm	3	4 Nm	0,195 kg

**D:** clamping range

**H<sub>max</sub>:** maximum height

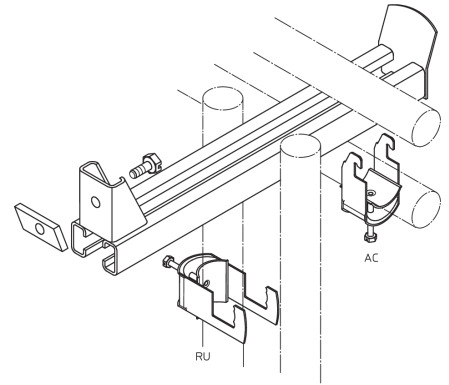
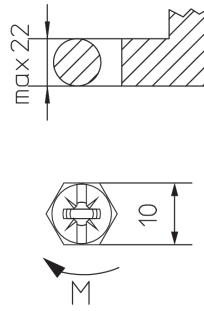
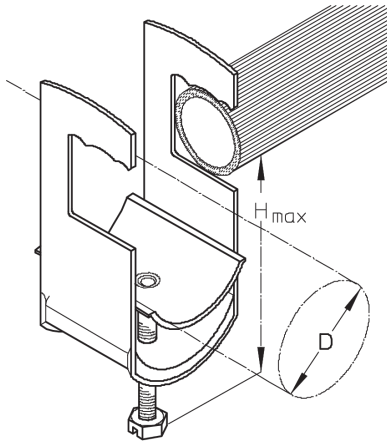
**cables:** max. number of cables

**M:** torque

**W:** Weight per storage unit

## DETAIL AND APPLICATION IMAGES





## OPTIONAL ACCESSORIES

GW 12-70, DW

