

RTR 85

Cable tray separating strip, height = 80 mm

Cables and lines with different functions or voltages can be routed separately from one another in the same cable tray using the cable tray separating strip RTR 85. The separating strip is bolted to the cable tray three times or fastened with KLF approx. 100 mm away from both ends of the separating strip and in the middle. The cable tray separating strip is 80 mm high and 3000 mm long. We provide components in various materials and surface finishes to ensure that the corrosion requirements are met for all sorts of applications.

steel, continuously hot galvanized/Sendzimir process

Products	H	L	weight
RTR 85S	80 mm	3000 mm	2,058 kg
incl.:			
3 × KLR			

steel, batch/hot-dip galvanized

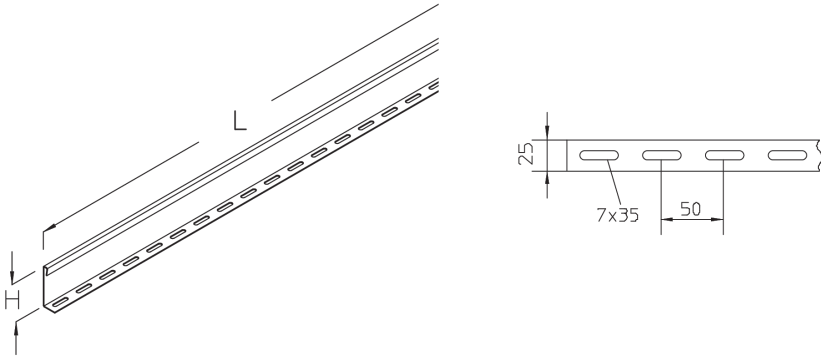
Products	H	L	weight
RTR 85F	80 mm	3000 mm	2,204 kg
incl.:			
3 × KLR E			

H: height
L: length

DETAIL AND APPLICATION IMAGES



PRODUCT INFORMATION



OPTIONAL ACCESSORIES

KLF

