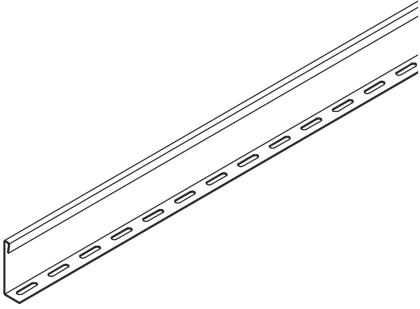


RTR 60

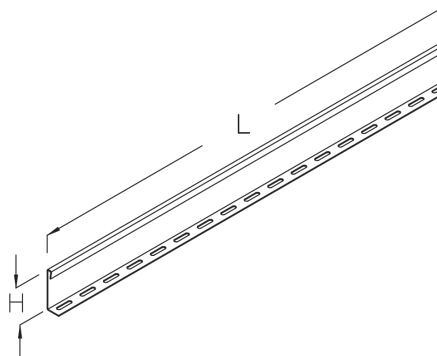
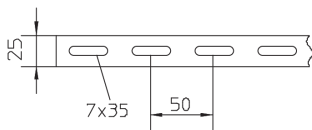


steel, continuously hot galvanized/Sendzimir process

Products	H	L	weight
RTR 60S	50 mm	3000 mm	1,528 kg
incl.:			
3 × KLR			

H: height
L: length

DETAIL AND APPLICATION IMAGES





PohlCon GmbH
Nobelstraße 51 | 12057 Berlin
Telefon: +49 30 68283-04 | Fax: +49 30 68283-383 | contact@pohlcon.com

