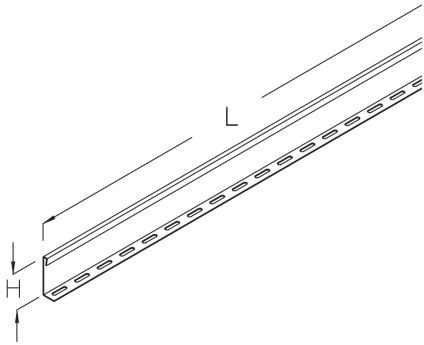


RTR 35

Cable tray separating strip, height = 33 mm



Cables and lines with different functions or voltages can be routed separately from one another in the same cable tray using the cable tray separating strip RTR 35. The separating strip is bolted to the cable tray three times or fastened with KLF approx. 100 mm away from both ends of the separating strip and in the middle. The cable tray separating strip is 33 mm high and 3000 mm long. We provide components in various materials and surface finishes to ensure that the corrosion requirements are met for all sorts of applications.

steel, continuously hot galvanized/Sendzimir process

Products	H	L	W
RTR 35S	33 mm	3000 mm	1,192 kg
incl.:			
3 × KLR			

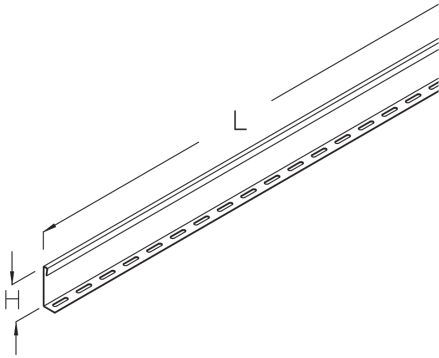
steel, batch/hot-dip galvanized

Products	H	L	W
RTR 35F	33 mm	3000 mm	1,704 kg
incl.:			
3 × KLR E			

H: height
L: length
W: Weight per storage unit

DETAIL AND APPLICATION IMAGES





OPTIONAL ACCESSORIES

KLF

